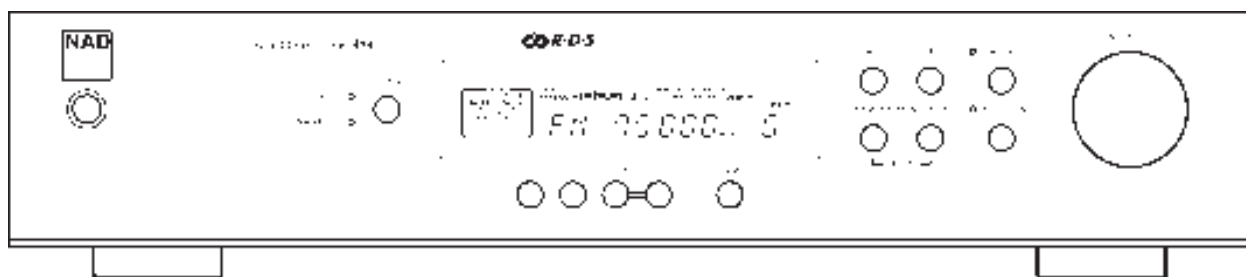


NAD

414



- (GB) • OWNER'S MANUAL**
- (F) • MANUEL D'INSTALLATION**
- (D) • BEDIENUNGSANLEITUNG**
- (E) • MANUAL DEL USUARIO**
- (I) • MANUALE DELLE ISTRUZIONI**
- (P) • MANUAL DO PROPRIETÁRIO**
- (S) • BRUKSANVISNING**

THE FOLLOWING PRECAUTIONS AND SAFETY INSTRUCTIONS ARE REQUIREMENTS OF UL AND CSA SAFETY REGULATIONS



CAUTION: TO REDUCE THE RISK OF ELECTRIC SHOCK, DO NOT REMOVE COVER (OR BACK).
ATTENTION: AFIN D'ÉVITER UN CHOC ÉLECTRIQUE, ET LES CONSÉQUENCES GRAVES QUI POURRAIENT EN RÉSULTER, TENTEZ PAS D'OUVRIER L'APPAREIL ET DE TOUCHER AUX COMPOSANTS INTERNES SANS LA PRÉSENCE D'UNE SERVICE PERSONNEL.

Warning: To reduce the risk of fire or electric shock, do not expose this unit to rain or moisture.



The graphic symbol of a lightning flash with an arrow point within a triangle signifies that there is dangerous voltage within the unit and it poses a hazard to anyone removing the cover to gain access to the interior of the unit. **Only qualified service personnel should make any such attempt.**



The graphic symbol of an exclamation point within an equilateral triangle warns a user of the device that it is necessary to refer to the instruction manual and its warnings for proper operation of the unit.



Do not place this unit on an unstable cart, stand or tripod, bracket or table. The unit may fall, causing serious injury to a child or adult and serious damage to the unit. Use only with a cart, stand, tripod, bracket or table recommended by the manufacturer or sold with the unit. Any mounting of the device on a wall or ceiling should follow the manufacturer's instructions and should use a mounting accessory recommended by the manufacturer.

An appliance and cart combination should be moved with care. Quick stops, excessive force and uneven surfaces may cause the appliance and cart combination to overturn.

Read and follow all the safety and operating instructions before connecting or using this unit. Retain this notice and the owner's manual for future reference.

All warnings on the unit and in its operating instructions should be adhered to.

Do not use this unit near water; for example, near a bath tub, washbowl, kitchen sink, laundry tub, in a wet basement or near a swimming pool.

The unit should be installed so that its location or position does not interfere with its proper ventilation. For example, it should not be situated on a bed, sofa, rug or similar surface that may block the ventilation openings; or placed in a built-in installation, such as a bookcase or cabinet, that may impede the flow of air through its ventilation openings.

The unit should be situated from heat sources such as radiators, heat registers, stoves or other devices (including amplifiers) that produce heat.

The unit should be connected to a power supply outlet only of the voltage and frequency marked on its rear panel.

The power supply cord should be routed so that it is not likely to be walked on or pinched, especially near the plug, convenience receptacles, or where the cord exits from the unit.

Unplug the unit from the wall outlet before cleaning. Never use benzine, thinner or other solvents for cleaning. Use only a soft damp cloth.

The power supply cord of the unit should be unplugged from the wall outlet when it is to be unused for a long period of time.

Care should be taken so that objects do not fall, and liquids are not spilled into the enclosure through any openings.

This unit should be serviced by qualified service personnel when:

- The power cord or the plug has been damaged; or
- Objects have fallen, or liquid has been spilled into the unit; or
- The unit has been exposed to rain or liquids of any kind; or
- The unit does not appear to operate normally or exhibits a marked change in performance; or
- The device has been dropped or the enclosure damaged.

DO NOT ATTEMPT SERVICING OF THIS UNIT YOURSELF. REFER SERVICING TO QUALIFIED SERVICE PERSONNEL.

Upon completion of any servicing or repairs, request the service shop's assurance that only Factory Authorized Replacement Parts with the same characteristics as the original parts have been used, and that the routine safety checks have been performed to guarantee that the equipment is in safe operating condition.

REPLACEMENT WITH UNAUTHORIZED PARTS MAY RESULT IN FIRE, ELECTRIC SHOCK OR OTHER HAZARDS.

ATTENTION

POUR PRÉVENIR LES CHOCS ÉLECTRIQUES NE PAS UTILISER CETTE FICHE POLARISÉE AVEC UN PROLONGATEUR, UNE PRISE DE COURANT OU UNE AUTRE SORTIE DE COURANT, SAUF SI LES LAMES PEUVENT ÊTRE INSÉRÉES A FOND SANS EN LAISSER AUCUNE PARTIE À DÉCOUVERT.

CAUTION

TO PREVENT ELECTRIC SHOCK DO NOT USE THIS POLARIZED PLUG WITH AN EXTENSION CORD, RECEPTACLE OR OTHER OUTLET UNLESS THE BLADES CAN BE FULLY INSERTED TO PREVENT BLADE EXPOSURE.

If an indoor antenna is used (either built into the set or installed separately), never allow any part of the antenna to touch the metal parts of other electrical appliances such as a lamp, TV set etc.

CAUTION POWER LINES

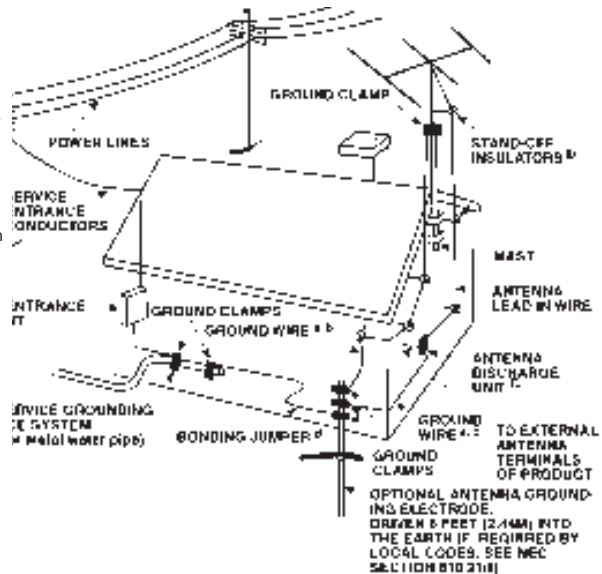
Any outdoor antenna must be located away from all power lines.

OUTDOOR ANTENNA GROUNDING

If an outside antenna is connected to your tuner or tuner-preamplifier, be sure the antenna system is grounded so as to provide some protection against voltage surges and built-up static charges. Section 810 of the National Electrical Code, ANSI/NFPA No. 70-1984, provides information with respect to proper grounding of the mast and supporting structure, grounding of the lead-in wire to an antenna discharge unit, size of grounding conductors, location of antenna discharge unit, connection to grounding electrodes and requirements for the grounding electrode.

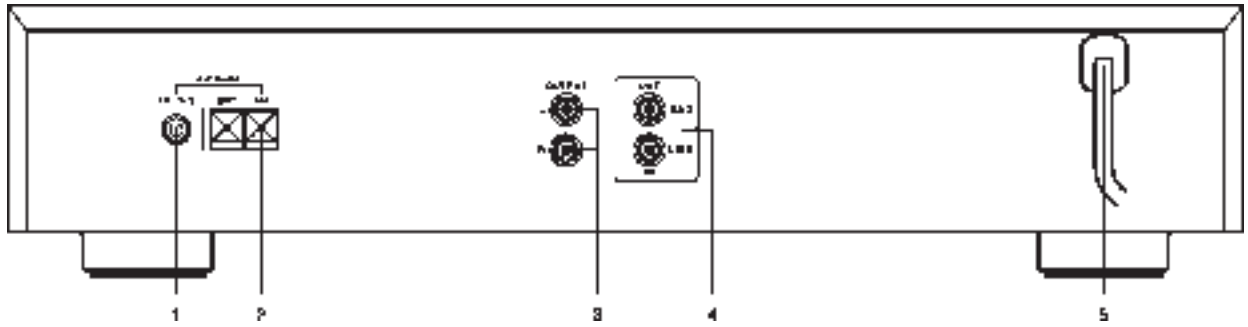
- Use No. 10 AWG (5.3mm²) copper, No. 8 AWG (8.4mm²) aluminium, No. 17 AWG (1.0mm²) copper-clad steel or bronze wire, or larger, as a ground wire.
- Secure antenna lead-in and ground wires to house with stand-off insulators spaced from 4-6 feet (1.22 - 1.83 m) apart.
- Mount antenna discharge unit as close as possible to where lead-in enters house.
- Use jumper wire not smaller than No.6 AWG (13.3mm²) copper, or the equivalent, when a separate antenna-grounding electrode is used. see NEC Section 810-21 (j).

EXAMPLE OF ANTENNA GROUNDING AS PER NATIONAL ELECTRICAL CODE INSTRUCTIONS CONTAINED IN ARTICLE 810 - RADIO AND TELEVISION EQUIPMENT.



NOTE TO CATV SYSTEM INSTALLER: This reminder is provided to call the CATV system installer's attention to Article 820-22 of the National Electrical Code that provides guidelines for proper grounding and, in particular, specifies that the ground cable ground shall be connected to the grounding system of the building, as close to the point of cable entry as practical.

REAR PANEL CONNECTIONS



FRONT PANEL CONTROLS

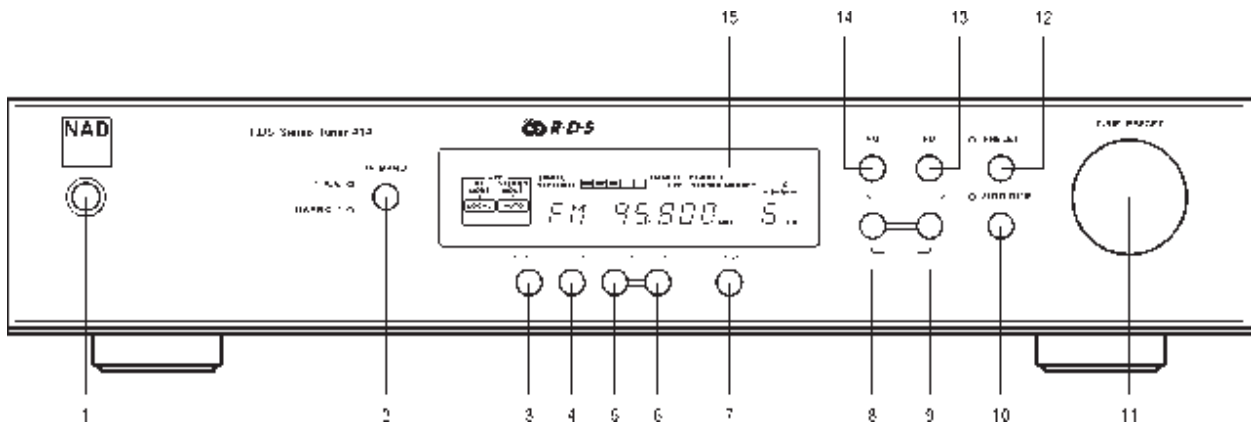


FIGURE 1.

Australian version only

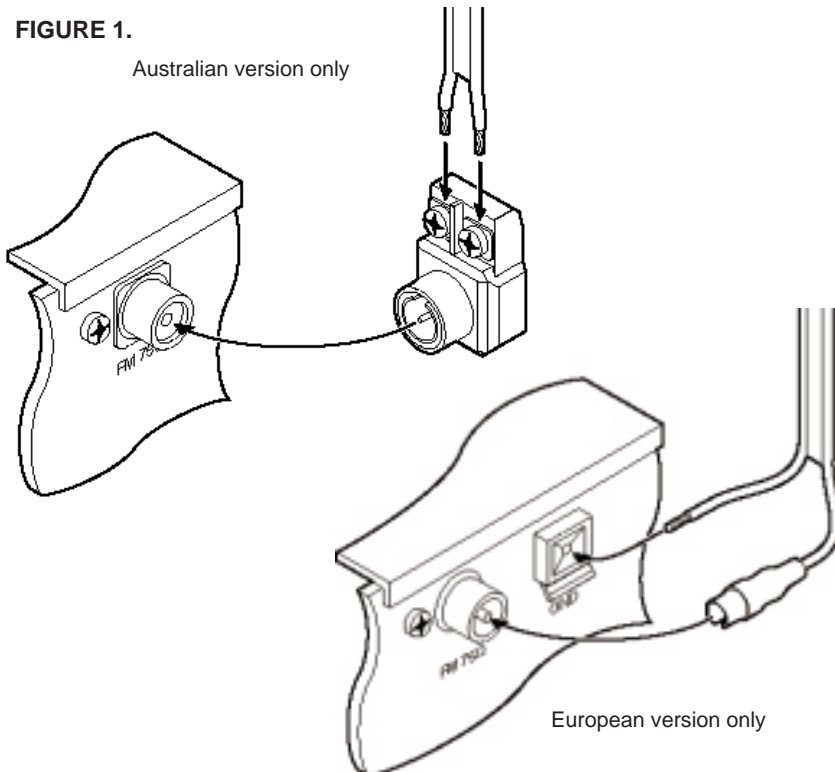
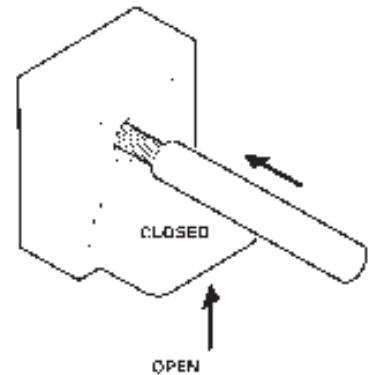


FIGURE 2.





NAD 414 RDS STEREO AM/FM TUNER

NOTES ON INSTALLATION.

Your NAD 414RDS should be placed on a firm, level surface. Avoid placing the unit in direct sunlight, near sources of heat and damp or in poorly ventilated positions.

It comes with phono leads for connection to your amplifier. Ensure that leads and connectors are not damaged in any way and all connectors are firmly pushed home.

If the unit is not going to be used for some time, disconnect the plug from the AC socket.

Should water get into your NAD 414RDS, shut off the power to the unit and remove the plug from the AC socket. Have the unit inspected by a qualified service technician before attempting to use it again.

Do not remove the cover, there are no user-serviceable parts inside.

Use a dry soft cloth to clean the unit. If necessary, lightly dampen the cloth with soapy water. Do not use solutions containing benzol or other volatile agents.

QUICK START

1. Use the phono-to-phono lead to connect the NAD 414RDS left & right outputs to the Tuner Input of your amplifier.
2. Plug in the AC power cord.
3. Connect AM and FM antenna.
4. Press the POWER button to turn on the NAD 414RDS.
5. Press the AM or FM button to select AM or FM reception.
6. Use TUNE/PRESET to select a station

REAR PANEL CONNECTIONS.

1. FM ANTENNA

A ribbon wire FM antenna is included and should be connected to the FM connector at the rear of the unit (see fig 1 - Australian versions should use the 'balun' adapter supplied). The ribbon aerial should be mounted on a vertical surface and placed so that it forms a 'T'.

Experiment with placement of the antenna to find the position that gives the best signal strength and lowest background noise. The signal strength meter in the Display Panel will help to indicate the better antenna positions.

An inadequate FM signal normally results in high levels of hiss, especially in stereo, and interference from external electrical sources. In areas of poor FM reception, the tuner section's performance can be improved by using an externally mounted FM antenna. A qualified aerial installer will be able to advise and fit a recommended aerial for your reception conditions.

2. AM ANTENNA

An AM loop antenna is supplied with the NAD 414RDS and is required for AM reception. To connect the AM antenna, first press the keys on the Antenna terminals downwards. Insert the bare antenna wires into the two terminal holes and push the connector keys upwards again to secure the connection.

Test various positions for the antenna but always ensure the loop is placed vertically for best reception. Placing the antenna close to large metal items such as metal shelves or radiators may interfere with reception. (see fig 2)

3. OUTPUT

The 414's analogue audio output. Using twin phono-to-phono leads, connect to the left (white) and right (red) outputs to the 'Tuner' input or other line-level input such as 'Aux' input of your amplifier. Do not connect this cable to the amplifier's PHONO input jacks.

4. NAD-LINK IN OUT

The NAD-Link connector is used to pass commands from other units fitted with NAD-Link connectors. This allows centralised control of a complete system, and also allows some of the basic functions of the NAD 414RDS to be controlled using a NAD-linked amplifier's remote control or gives system control from more than one room. To function with other units, connect the Tuners NAD-Link OUT to the NAD-Link IN on the other unit. NAD-Link connectors can be daisy-chained, IN to OUT, so that a whole system can be controlled from the remote control facilities of one unit.

5. AC LINE CORD.

Connect this power cord to an AC mains wall outlet

Plug the AC power cord into a live AC wall socket or to an AC convenience outlet at the rear of your amplifier.

FRONT PANEL CONTROLS.

1. POWER ON/OFF.

POWER switches the player on or off. Pressing the power switch turns the Tuner on, indicated by the Display Panel becoming active. Pressing the POWER button again will switch the player off.

When switched Off, no power is supplied to the NAD 414RDS's electronics, but all Memory Preset settings still remain stored.

CAUTION: The power does not switch off completely when the POWER button is switched to off. Please disconnect your NAD 414RDS from the AC outlet when it is not being used for long periods of time.

2. IF BAND

Pressing the IF BAND button selects Wide or Narrow IF band operation as indicated by the LED's next to the button. The normal setting is WIDE which is suitable for most reception conditions. However should two received radio stations be operating on frequencies very close to each other, then selecting NARROW will help reject interference from the unwanted station.

3. CHARACTER

CHARACTER Button is used to enter the names of Preset radio stations for display when the station is selected. Used together with the TUNE/PRESET (11) knob and MEMORY (8) Buttons.

4. DISPLAY

Pressing the DISPLAY button switches between the station display options seen in the Display Panel.

Options	RDS Station	Non-RDS Station
Normal	PS*	User entered station name
Pressing:		
DISPLAY x1	RT*	Station frequency
DISPLAY x2	CT*	-
DISPLAY x3	Frequency	-

* For information on the Radio Data Service, refer to the list in the section "USING RDS".

5. PTY TP AF

Pressing PTY TP AF allows you to search for other stations using the RDS Programme Type, Traffic Information and Alternative Frequencies features and is used with the SCAN (6) button. The information is displayed for three seconds after which the display returns to showing the station initials and frequency.

Display Panel information

Normal operation

RDS Station	Non-RDS Station
Station initials & frequency	Station frequency

Pressing: PTY TP AF

RDS Station	Non-RDS Station
PTY Programme Type	'NOT RDS'

Pressing: PTY TP AF

RDS Station	Non-RDS Station
TP Traffic Information	'TP'

Pressing: PTY TP AF

RDS Station	Non-RDS Station
AF Alternative Frequencies	'NOT RDS'

6. SCAN

Pressing SCAN sets the NAD 414RDS scanning through each of the Preset stations to automatically sample each of the Preset stations in a particular

Memory Bank. Each station is heard for six seconds and then Scan switches to the next Preset station. When a suitable station is heard, press SCAN again to cancel the Scanning process. SCAN is also used in conjunction with the NAD-414's PTY TP AF Button (5) to find the strongest signal version of the current station, stations which have similar programming, or stations that carry traffic information in their broadcasts.

7. BANK

Pressing BANK switches between the three Preset Memory Banks (A, B or C). These Banks can contain a mix of up to ten AM and FM stations. The Bank selected is shown in the Display Panel.

8. MEMORY

Used to store stations into the three Preset Memory banks or to store user defined names for non-RDS Preset stations. Used in conjunction with the PRESET (12) button and the TUNE/PRESET (11) knob. When Memory is active, the Preset number flashes and the red 'Memory' indicator is shown in the Display Panel.

9. FM MUTE/MODE

If a strong stereo FM signal is being received, your NAD 414RDS will automatically switch to Stereo FM operation, which is shown by the STEREO indicator in the Display Panel, and the tuner will mute when searching between stations.

Weak stereo signals however, may have a high level of background hiss. Switching to Mono Mode by depressing the FM MUTE/MODE button will cancel most or all of this background noise. Press the FM MUTE/MODE switch again to return to Auto Stereo FM operation. The FM Mute On/Off status is shown in the Display Panel and Auto/Mono Mode is shown in the APR section of the Display Panel.

10. AUTOTUNE

Pressing the AUTOTUNE Button puts the NAD 414RDS into Autotune mode. Turning the TUNE/PRESET (11) knob clockwise or anti-clockwise will set the tuner searching up or down the radio frequencies to find the first station that is being received with a reasonably strong signal (three or more bars on the Tuning Strength Meter).

11. TUNE/PRESET

The TUNE/PRESET knob is used to manually or automatically tune to a radio station, select a Preset station or to program station names into your NAD 414RDS.

12. PRESET

Pressing PRESET, allows you to select any of the stations that have been stored in the Preset Memory Banks. Select the Bank into which you have stored the station using the BANK (7) button, and then turn the TUNE/PRESET knob to select the required Preset station. The Preset number and station name



or frequency will be shown in the Display Panel.

13. FM

The FM button switches the tuner to FM reception. The Display Panel shows the frequency of the tuned station and which band is selected. The FM tuning is in 0.025MHz increments

14. AM

The AM button switches the tuner to AM reception. The Display Panel shows the frequency of the tuned station and which band is selected. The AM tuning is in 9kHz increments.

The IF BAND, FM MUTE/MODE, DISPLAY, PTY TP AF buttons do not operate for AM stations.

15. DISPLAY PANEL

The Display Panel shows information about the NAD 414RDS operating modes and information about the station currently selected.

STATION DATA Displays the station name, frequency and other information supplied on the RDS service or entered manually by the user.

APR section

RF MODE Your NAD 414RDS will automatically select the RF Mode that works best with the signal being received. DX is selected for normal strength signals and LOCAL is selected when it is tuned into stations with very strong radio signals that could cause distortion.

STEREO MODE Tuner automatically switches to stereo when a stereo station is received (AUTO) or is always in Mono (MONO). Indicates whether the Tuner is in FM Mute/Auto Mode (ON) or FM Mute Off/Mono Mode (OFF)

SIGNAL STRENGTH Displays the strength of the received radio signal. Maximum signal strength is indicated by five bars. One or two bars indicates inadequate signal strength that may be prone to interference and noise.

FM MUTE Indicates whether the Tuner is in FM Mute/Auto Mode (ON) or FM Mute Off/Mono Mode (OFF)

>TUNED< Shows that the station is correctly tuned.

STEREO Shows that an FM station is transmitting in stereo and the Tuner is operating in Auto Mode.

MEMORY Lights when the Memory function is active and stations or characters are being entered into memory.

RDS Indicates that the station selected is transmitting RDS information

BANK Displays the current Memory Bank selected

PRESET NUMBER Displays the current Memory Preset number

FINDING AND STORING AM & FM STATIONS USING AUTOTUNE.

You can use the SEARCH mode to automatically look for stations, and then use the STORE mode to enter them into the NAD 414RDS memory.

First select the AM or FM band using the AM or FM button. If you want to search for the main stations available in your area, then the NAD 414RDS will search only for strong signals (three or more bars on the Signal Strength Display) and all weak stations will be muted and passed over. If you want to include all signals in the search, no matter how weak, switch the FM Muting off by pressing the FM MUTE button. FM Mute On/Off is shown in the Display Panel.

Now press AUTOTUNE and turn the TUNE/PRE-SET knob clockwise to search up the frequency band or anti-clockwise to search down the frequency band.

When the tuner finds a broadcast signal of adequate strength (shown by at least three bars of the tuning strength meter and the >TUNE< indicator illuminating) then the automatic search stops at that station. If the station is transmitting RDS information, the RDS indicator will light up and station initials and frequency will be shown in the Display Panel. If a non-RDS station is found, then just the frequency will be shown.

To store that station as a Preset, press MEMORY. The Memory indicator will be displayed and the Preset section will flash in the Display Panel.

Press BANK to select which of the three Banks of Presets you want to store the station into. Turn the TUNE/PRESET knob to select which Preset number you wish to assign to the station (shown as a flashing number in the Display Panel) and then press MEMORY again. The Memory light in the Display Panel will go out and the station is now stored in your NAD 414RDS memory.

You can enter a new station into an unused Preset or over-write an existing programmed Memory Preset. By doing this you will replace all the data previously held on that Preset number.

To exit the Memory mode without storing a station, leave all the controls untouched; the Memory mode will automatically cancel itself after 8 seconds. The Memory Presets are held in non-volatile memory, so they will remain stored, even if the Tuner is switched off or unplugged from the mains supply.

SELECTING A PRESET STATION.

To select a Memory Preset station, press the PRE-SET Button and then select which Bank of Presets you want to use by pressing the BANK button. Turn the TUNE/PRESET knob until the right Preset is found and shown in the Display Panel. Any unused Presets will be skipped and it is not possible to select a Bank unless it has at least one Preset stored into it.

If you want to automatically search the whole bank for a suitable programme, press SCAN. The NAD 414RDS will then scan through all the Preset stations in the current Bank, playing each for 6 seconds. When a suitable programme is heard, press SCAN again to cancel the scanning mode.

DELETING A STORED STATION.

You can empty a Preset by deleting the stored information. First select the Memory Preset to be emptied and then press the MEMORY button, hold it down and press FM MUTE/MODE. The Memory Preset will then be deleted and '—' appears as the Preset number. You can store a new station into a used Preset, by simply going through the Preset storing process and placing a new station over the existing one.

FINDING AND STORING AM & FM STATIONS USING MANUAL TUNING.

You can also manually TUNE stations and store them into the NAD 414RDS memory.

First select the AM or the FM band using the AM or FM button. Select FM Mute On or Off as required.

Then turn the TUNE/PRESET knob clockwise to search up the frequency band or anti-clockwise to search down the frequency band.

When the tuner is properly locked onto a station then the >TUNE< indicator will illuminate. If you have difficulty tuning between two stations on adjacent frequencies, switch the IF BAND0 to 'Narrow'. This will make it easier for your NAD 414RDS to lock onto the required station.

If the station is transmitting RDS information, the RDS indicator will light up and station initials and frequency will be shown in the Display Panel. If a non-RDS station is found, then just the frequency will be shown.

Store the station into memory in the same way as described in 'Finding And Storing AM & FM Stations Using Autotune.'

STORING A STATION NAME.

When a station is transmitting RDS information, your NAD 414RDS will automatically show the station initials and frequency when its Preset is used. Although the Tuner automatically shows the frequency of any other non-RDS Preset station, it also allows you to type in the station name to make it easier to identify which station is stored in the Memory Preset.

To enter a name, first select the Preset you want to attach a name to. Then press CHARACTER and the first space in the Station Data area of the Display Panel will flash. Turn the TUNE/PRESET knob to select the first character (see Character list for reference). Pressing MEMORY will store the first character and move forward to the next space on the line. Use the TUNE/PRESET knob again to select the next character in the name and press MEMORY to store it. Continue until the station name is complete (up to 8 characters). Press CHARACTER again to store the completed name.

This function is only available for non-RDS stations. RDS stations will always display their transmitted name and this cannot be over-written using CHARACTER.

There are 54 characters available including a blank space.

(*show Character set per T-450RDS manual*)

USING RDS.

An increasing number of FM radio stations are transmitting additional services and information digitally encoded into the normal FM signal. This Radio Data System (RDS) makes it easier to find the right station by displaying its name and frequency. It can also display the type of programming the station is transmitting, whether it transmits traffic information, and can also display additional text information, such as the title of current track being played.

RDS also makes it easier to find the other stations that may be of interest. Using the SCAN function lets you search for the strongest signal version of the station you are listening to, find other stations with similar types of programme or find other stations that carry traffic information.

There are six RDS Services and although your NAD 414RDS is able to display and use all of these, not every radio station transmits the full six. Some may only send the Programme Service Name and Identification.

The six RDS services are:-

PS Programme Service Name

Shows the station's initials

PTY Programme Type

Shows the type of programme being transmitted. Can be used to search for other similar programmes being transmitted by other stations

TP Traffic Programme

Shows whether the station supplies traffic information. Can be used to search for other stations transmitting traffic information.

AF Alternate Frequencies

Used to search for other frequencies that the current station is being transmitted on.

RT Radio Text

Displays additional information about the current programme such as the programme's name or the name of the current track being played.

CT Clock Time

When an RDS station broadcasting CT information is received, a clock will appear on the display within 1 minute from the time the station is received.

DISPLAYING RDS INFORMATION.

When an RDS station is received, the RDS indicator will show in the Display Panel and your NAD 414RDS will use the Programme Service Name (PS) data to display the station's initials and frequency in the Station Data section of the Display Panel.

You can see the other RDS information by pressing the DISPLAY button.

Pressing DISPLAY once will switch to Programme Identification and display the station's full name, description and frequency.

If no Programme Identification is being transmitted then 'No Text' will be displayed instead.

Pressing DISPLAY again will show the Radio Text information, if transmitted.

If no Radio Text information is being transmitted then either 'No Update' or the current time will be dis-



played instead.

It takes two or three seconds for the Radio Text information to be fully transmitted. If the RDS section of the tuner is waiting to be updated then 'WAIT' will appear in the Display Panel.

Pressing DISPLAY three times will display the frequency that your NAD 414RDS is tuned to.

For non-RDS stations, the DISPLAY button will switch between displaying the user-entered station name (if any) and the frequency.

RDS station	Non-RDS Station
Normal Operation	
RDS Station initials (PS)	User-entered station name (or frequency if no name has been entered)
Pressing: DISPLAY x1 RT*	Current tuned frequency
Pressing: DISPLAY x2 CT*	-
Pressing: DISPLAY x3	Current tuned frequency

* For information on the Radio Data Service, refer to the list in the section "USING RDS".

USING RDS TO SEARCH FOR STATIONS AND INFORMATION.

RDS offers a facility to automatically search for other stations that are transmitting similar programming, or are provide traffic information or are stronger transmissions of the same station on alternative frequencies.

To use RDS to search for stations transmitting similar types of programme type, press the PTY TP AF Button once. The current station's programme type will be displayed for two seconds in the Station Data section of the Display Panel (see list below). Press SCAN while this is displayed and your NAD 414RDS will automatically search for other RDS stations transmitting the same programme type. Each matching station is heard for six seconds and its frequency flashes, then Scan goes on to the next station that is transmitting the same programme type. Press SCAN again to stop the scanning process on a particular station.

If you want to search for a particular programme type then press the PTY TP AF Button once and then use the TUNE/PRESET knob to choose the programme type. Press SCAN to find any matching programmes.

To use RDS to search for stations transmitting traffic information (usually after news bulletins), press the PTY TP AF Button twice and press SCAN. Your NAD 414RDS will search out the first RDS station that includes traffic information in their broadcasts. '*TP*' indicates an RDS station that includes traffic information, 'TP' indicates an RDS station that does not give out traffic information or a non-RDS station.

To use RDS to search for a stronger signal for the current station, press PTY TP AF Button three times

and press SCAN. Your NAD 414RDS will search out the strongest signal for the current station.

This is normally used on In-Car systems to automatically switch to the strongest version of a national radio station when travelling. But it can be used to check that you are tuned to the optimum signal for that particular station.

RDS Search Options

- press
- PTY TP AF x 1 PTY Programme Type
Used to search for other similar programmes being transmitted by other stations.
- PTY TP AF x 2 TP Traffic Programme
Used to search for other stations transmitting traffic information.
- PTY TP AF x 3 AF Alternate Frequencies
Used to search for other strong frequencies that the current station is being transmitted on.

The Programme Types can fall into one any one of these 15 different categories.

Programme Types (PTY)

- NONE** No programme type information transmitted
- NEWS** News programme
- AFFAIRS** Current affairs programme
- INFO** General information programme
- SPORT** Sport programme
- EDUCATE** Educational programme
- DRAMA** Plays or drama programme
- CULTURE** Culture/discussion programme
- SCIENCE** Science programme
- VARIED** Other general programme material
- POP M** Popular Music programme
- ROCK M** Rock Music programme
- M.O.R. M** Middle of the road music programme
- LIGHT M** Light music/light classical programme
- CLASSICS** Classical music programme
- OTHER M** Other types of music such as Jazz, Folk, Country, Reggae, R&B etc.

Displaying clock time (CT)

If the station you are listening to is not an RDS station, this function cannot be used.

1. Press the DISPLAY button and RT information will be displayed.

2. Press the DISPLAY button one more time.

• A clock will appear on the display within one minute after receiving a station broadcasting CT information.

NO UPDATE or NO TIME will appear on the display within several seconds after receiving a station which does not broadcast CT information. Then, the PS information will be displayed.

TROUBLESHOOTING

NO SOUND

Power AC lead unplugged or power not switched on.
 Signal leads incorrectly connected.
 Station not selected or weak signal with FM Mute on.
 Internal fuse blown.

Check AC lead.
 Check connections to amplifier.
 Re-tune or switch off FM Mute.
 Consult dealer.

NO SOUND ONE CHANNEL

Signal leads to amplifier disconnected or damaged.

Check leads and connections.

NOISE

Hiss. Weak signal.

Check signal strength meter. Check station tuning. Adjust or replace antenna.

Distortion. Multi-path signals or interference from another station.

Check station tuning. Adjust or replace antenna. Select 'Narrow' IF Setting.

Whistles or buzzes on FM & AM. Interference from electrical sources - computers, games consoles.

Check station tuning. Switch off or move the other source of the electrical noise.

Whistles or buzzes on AM: Interference from fluorescent lighting or electrical motors.

Check station tuning. Adjust or replace AM antenna.

NO RDS INFORMATION

Station signal too weak.

Check signal strength meter. Check station tuning. Adjust or replace antenna.

Station not transmitting RDS.

No remedy.

	A	B	C	D	E	F	G	H
I	J	K	L	M	N	O	P	Q
R	S	T	U	V	W	X	Y	Z
"	&	'	:	;	+	,	-	
.	!	=	?	0	1	2	3	4
5	6	7	8	9				

There are 54 characters available including a blank space.



TUNER AM/FM STEREO NAD 414 RDS

NOTES CONCERNANT L'INSTALLATION

Poser le NAD 414RDS sur une surface stable, plane et horizontale. Eviter les rayons directs du soleil et les sources de chaleur et d'humidité, ainsi que les endroits où une ventilation correcte ne peut pas être assurée.

Si l'appareil doit rester inutilisé pendant un certain temps, débrancher le cordon d'alimentation de la prise de secteur murale. Si de l'eau pénètre à l'intérieur du NAD 41 RDS, couper l'alimentation de l'appareil et retirer la fiche de la prise secteur. Faire contrôler l'appareil par un technicien de service après vente qualifié, avant toute tentative de remise en service.

Ne pas retirer le couvercle. A l'intérieur, il n'y a aucun élément sur lequel l'utilisateur peut intervenir.

Utiliser un chiffon doux sec et propre pour nettoyer l'appareil. Si nécessaire, humecter le chiffon avec un peu d'eau savonneuse. Ne pas utiliser de solution contenant du benzol ou tout autre agent volatil.

MISE EN ROUTE RAPIDE

1. Utiliser le câble phono à phono pour brancher les sorties gauche et droite du NAD 414 RDS à l'entrée tuner de votre amplificateur.
2. Brancher le cordon d'alimentation secteur.
3. Brancher l'antenne AM et FM.
4. Appuyer sur le bouton MARCHE/ARRET [POWER] pour mettre en marche le NAD 414 RDS.
5. Appuyer sur le bouton AM ou FM pour choisir la réception AM ou FM.
6. Utiliser ACCORDAGE/PREREGLAGE [TUNE/PRESET] pour sélectionner une station.

BRANCHEMENTS SUR LA FACE ARRIERE

1. ANTENNE FM

Une antenne filaire FM, sous forme de câble plat, est livrée avec le tuner. Cette antenne se branche à l'arrière de l'appareil (Cf. Figure 1) Les versions distribuées au Australie doivent être branchées à l'aide de l'adaptateur "balun" fourni). L'antenne câble plat doit être fixée sur une surface verticale, et doit former un "T".

Faire des essais en mettant l'antenne dans différentes positions, de manière à obtenir le meilleur signal possible avec un minimum de bruit de fond. L'indicateur de puissance de signal, situé sur la Face Parlante, permettra de parfaire le positionnement de l'antenne.

Un signal FM insuffisant entraîne un sifflement, surtout en réception stéréophonique, et permet au tuner de capter des interférence en provenance de sources électriques extérieures. Dans les endroits où la réception FM est mauvaise, il est possible d'améliorer les performances du tuner en utilisant une antenne FM montée à l'extérieur du bâtiment. Un installateur d'antennes qualifié pourra donner les con-

seils appropriés, et poser une antenne adaptée aux conditions de réception locales.

2. AM ANTENNA [ANTENNE AM].

Une antenne cadre AM est livrée avec le NAD 414 RDS, et permet de recevoir les stations émettant sur la bande AM. Pour brancher l'antenne AM, enfoncer tout d'abord les "clés" sur les bornes d'Antenne [Antenna]. Insérer les câbles d'antenne dénudés dans les deux trous des bornes, puis ramener les clés des bornes vers le haut pour en assurer la fixation (Cf. Figure 2).

Faire des essais en mettant l'antenne dans différentes positions, mais en s'assurant que le cadre est toujours vertical afin que la réception soit optimale. Le fait de positionner l'antenne à proximité d'éléments métalliques de taille importante, comme des étagères en métal ou des radiateurs par exemple, peut affecter la réception .

3. OUTPUT [SORTIE]

OUTPUT est la sortie audio analogique du 414. A l'aide de câbles phono à phono doubles, brancher les sorties gauche (blanche) et droite (rouge) à l'entrée tuner ou à toute autre entrée niveau-ligne de l'amplificateur, l'entrée Aux par exemple. Ne pas brancher ce câble aux jacks d'entrée PHONO de l'amplificateur.

4. NAD-LINK OUT [SORTIE LIAISON-NAD]

Le connecteur de Liaison-NAD [NAD-Link] sert à relayer les commandes en provenance d'autres appareils équipés de connecteurs de Liaison-NAD. Cela permet d'assurer une commande centralisée pour tout un réseau, et aussi de commander certaines fonctions de base du NAD 414 RDS à l'aide de la télécommande d'un amplificateur relié à la Liaison-NAD, ou de commander la chaîne depuis plusieurs pièces. Pour assurer le relais vers d'autres appareils, relier le connecteur de SORTIE Liaison-NAD [NAD-Link OUT] du Tuner à l'ENTREE NAD-Link [NAD-Link IN] de l'autre appareil. Il est possible de relier les connecteurs de Liaison-NAD en chaîne, ENTREE vers SORTIE, et donc de commander tout un réseau d'appareils à l'aide de la télécommande d'un seul d'entre eux.

5. CORDON D'ALIMENTATION SECTEUR

Brancher ce cordon d'alimentation à une prise murale secteur.

Brancher le cordon d'alimentation secteur à une prise secteur murale active ou à une prise secteur commutée à l'arrière de votre amplificateur.

COMMANDES SUR LA FACE PARLANTE

1. POWER ON/OFF [MARCHE/ARRET]

L'interrupteur de marche/arrêt met l'appareil en marche ou hors tension. Une impulsion sur cet interrupteur met le Tuner sous tension, ce qui est signalé par la mise en marche de l'affichage. Une deuxième impulsion sur l'interrupteur POWER remet l'appareil hors tension.

Lorsque cet interrupteur est en position ARRET [OFF], l'électronique du NAD 414 RDS n'est plus alimentée, mais tous les réglages sont conservés.

ATTENTION: Lorsque l'interrupteur est mis sur ARRET [OFF], l'alimentation n'est pas totalement coupée. Débrancher le NAD 414 RDS de la prise secteur lorsqu'il doit rester inutilisé pendant une période prolongée.

2. IF BAND [BANDE IF]

En appuyant sur le bouton IF BAND on choisit entre un fonctionnement Bande IF Large ou Bande IF Etroite, l'état étant indiqué par la diode électroluminescente qui se trouve à côté du bouton. Le réglage normal se fait sur LARGE [WIDE] car cette plage convient à la plupart des conditions de réception. Cependant, lorsque deux stations reçues opèrent sur des fréquences très proches, il peut s'avérer judicieux de sélectionner ETROITE [NARROW] pour annuler les interférences engendrées par la station non désirée.

3. CHARACTER [CARACTERE]

Le bouton CARACTERE [CHARACTER] permet d'entrer les noms des stations de radio pré-réglées afin qu'ils s'affichent lorsque la station est choisie. Il s'utilise avec le bouton ACCORDAGE/PRE-REGLAGE [TUNE/PRESET] (11) et les boutons MEMOIRE [MEMORY] (8).

4. DISPLAY [AFFICHAGE].

Lorsque l'on appuie sur le bouton AFFICHAGE [DISPLAY] les différentes options d'affichage du panneau d'affichage défilent.

Options	Station RDS	Station non RDS
Normal		
	PS*	Nom de la station entrée par l'utilisateur
AFFICHAGE x 1	RT*	Fréquence de la station
AFFICHAGE x 2	CT*	-
AFFICHAGE x 3	Fréquence	-

* Pour plus d'informations sur le système "Radio Data Service", se reporter à la liste de la section "UTILISATION DU RDS".

5. PTY TP AF

Le bouton PTY TP AF permet la recherche d'autres stations de Type Programme RDS, des Informations Routières et d'Autres Fréquences. Ce bouton s'utilise avec le bouton ECHANTILLONNAGE [SCAN] (6). Les différentes informations sont affichées pendant 3 secondes puis l'affichage revient aux initiales de la station et à sa fréquence.

Informations affichées sur le Panneau d'Affichage

Station RDS	Station non RDS
Fonctionnement normal	
Initiales et fréquence de la station	Fréquence de la station

Impulsion sur PTY TP AF
PTY (Type de Programme) "PAS RDS [NOT RDS]"
Impulsion sur PTY TP AF TP
(Informations Routières) "TP"
Impulsion sur PTY TP AF
AF (Autres Fréquences) "PAS RDS [NOT RDS]"

6. SCAN [ECHANTILLONNAGE]

Après une impulsion sur ECHANTILLONNAGE [SCAN] le NAD 414 RDS balaye chacune des stations Pré-réglées afin d'échantillonner automatiquement chaque station pré-réglée d'une Banque de Mémoire donnée. On entend chaque station pendant six secondes, avant que la fonction ne passe à la station Pré-réglée suivante. Dès que l'on entend une station convenable, il suffit de réappuyer sur ECHANTILLONNAGE [SCAN] pour arrêter le balayage des stations pré-réglées. On peut aussi utiliser cette fonction d'échantillonnage avec le bouton PTY TP AF (5) du NAD 414, afin de trouver la fréquence sur laquelle la station actuelle émet le plus fort, d'autres stations dont la programmation est similaire, ou des stations dont les émissions comportent des informations routières.

7. BANK [BANQUE]

Le bouton BANQUE [BANK] commute entre les trois Banques de Mémoire Pré-réglées (A, B ou C). Ces banques peuvent contenir jusqu'à dix stations AM et/ou FM différentes. Le numéro de la Banque en cours d'utilisation est indiqué sur le Panneau d'Affichage.

8. MEMORY [MEMOIRE]

Cette commande permet de stocker des stations dans les trois banques de stations pré-réglées, ou de stocker des noms définis par l'utilisateur pour les stations pré-réglées non RDS. Elle s'utilise avec les boutons de PREREGLAGE [PRESET] (12) et ACCORDAGE/PRE-REGLAGE [TUNE/PRESET] (11). Lorsque la fonction Mémoire est active, le numéro de la station pré-réglée clignote, et l'indicateur rouge "Mémoire" [Memory] est allumé sur le Panneau d'Affichage.

9. FM MUTE/MODE [SILENCE FM/MODE]

Si le tuner reçoit un signal stéréophonique FM puissant, le NAD 414 RDS se met automatiquement en mode FM Stéréo, ce qui est indiqué par l'indicateur STEREO sur l'Affichage. Pendant la recherche, le son du tuner est coupé entre les stations.

Cependant, les signaux stéréophoniques faibles comportent parfois un niveau de sifflement élevé en bruit de fond. Le passage en mode monophonique, en appuyant sur le bouton SILENCE FM/MODE [FM MUTE/MODE], a pour effet d'annuler le bruit de fond (en grande partie ou en totalité). Appuyer à nouveau sur le bouton SILENCE FM/MODE [FM MUTE/MODE] pour repasser en mode FM Auto Stéréo. L'état (Arrêt ou Marche) de la fonction SILENCE FM/MODE est indiqué dans la partie APR du Panneau d'Affichage.

10. AUTOTUNE [ACCORDAGE AUTOMATIQUE]

Une impulsion sur le Bouton d'ACCORDAGE AUTOMATIQUE [AUTOTUNE] met le NAD 414 RDS en mode d'Accordage Automatique. Le fait de tourner le bouton ACCORDAGE/PREREGLAGE [TUNE/PRESET] (11) en sens horaire ou en sens anti-horaire provoque une recherche (en montant ou en descendant) de la première station reçue avec un signal relativement fort (au moins trois barres sur l'Indicateur de Puissance du Signal).

11. TUNE/PRESET [ACCORDAGE/PRE-REGLAGE]

Le bouton d'ACCORDAGE/PREREGLAGE [TUNE/PRESET] permet d'accorder manuellement ou automatiquement une station de radio, de sélectionner une station Préréglée ou de programmer des noms de stations dans votre NAD 414 RDS.

12. PRESET [PREREGLAGE]

Une impulsion sur PREREGLAGE [PRESET] permet de sélectionner l'une quelconque des stations stockées dans les Banques de Mémoires des Stations Préréglées. Choisir la Banque dans laquelle on a stocké la station, à l'aide du bouton BANK [BANQUE] (7), puis tourner le bouton d'ACCORDAGE/PREREGLAGE [TUNE/PRESET] pour obtenir la station Préseleccionnée voulue. Le numéro de préréglage et le nom ou la fréquence de la station seront indiqués sur le Panneau d'Affichage.

13. FM

Le bouton FM met le tuner en mode de réception FM. Le Panneau d'Affichage indique la fréquence de la station accordée, et la bande sélectionnée. L'accordage FM se fait par incréments de 0,025 MHz.

14. AM

Le bouton AM met le tuner en mode de réception AM. Le Panneau d'Affichage indique la fréquence de la station accordée, et la bande sélectionnée. L'accordage AM se fait par incréments de 9 kHz.

Les boutons BANDE IF [IF BAND], SILENCE

FM/MODE [FM MUTE/MODE], AFFICHAGE [DISPLAY] et PTY TP AF ne fonctionnent pas pour les stations AM.

15. PANNEAU D'AFFICHAGE

Le Panneau d'Affichage fournit des indications concernant les modes de fonctionnement du NAD 414 RDS, et des informations concernant la station actuellement sélectionnée.

La fenêtre DONNEES STATION [STATION DATA] affiche le nom de la station, la fréquence et toute autre information fournie par le système RDS ou programmée manuellement par l'utilisateur.

Section APR

RF MODE (MODE RF). Votre NAD 414 RDS sélectionnera automatiquement le Mode RF qui fonctionne le mieux avec le signal reçu. Il sélectionne DX pour les signaux de puissance normale, ou LOCAL lorsqu'il est accordé sur les stations dont le signal radio est très fort, et susceptible de provoquer des distorsions.

STEREO MODE.(MODE STEREO) Le tuner se met automatiquement en mode stéréo lorsqu'il capte une station stéréo (AUTO), sinon il est toujours en mode Mono (MONO). Cet affichage indique si le tuner est en mode Silence FM/Auto (ALLUME) ou en mode Silence FM Arrêté/Mono (ETEINT).

SIGNAL STRENGTH (PUISSANCE SIGNAL) Affiche la puissance du signal radio reçu. Un signal de puissance maximale est indiqué par cinq barres. Une indication d'une ou deux barres veut dire que le signal est inadéquat, et risque d'être perturbé par des interférences et du bruit.

FM MUTE (SILENCE FM) Indique si le tuner est en mode Silence FM/Auto (ALLUME) ou en mode Silence FM Arrêté/Mono (ETEINT).

>TUNED< (>ACCORDEE<) Indique que la station est correctement accordée.

STEREO. Indique qu'une station FM transmet en stéréo, et que le Tuner fonctionne en Mode Auto.

MEMORY (MEMOIRE) . S'allume lorsque la fonction Mémoire est active et que des stations ou des caractères sont en train d'être entrés en mémoire.

RDS. Indique que la station sélectionnée émet des informations RDS.

BANK (BANQUE) Affiche le numéro de la Banque de Mémoire actuellement sélectionnée.

PRESET NUMBER.(NUMERO DE PRESELECTION) Affiche le numéro de la Présélection Mémoire actuellement accordée.

RECHERCHE ET MISE EN MEMOIRE DES STATIONS AM ET FM A L'AIDE DE LA FONCTION AUTO-ACCORDAGE [AUTOTUNE]

On peut utiliser le mode de RECHERCHE [SEARCH] pour rechercher automatiquement les stations, puis la fonction de MISE EN MEMOIRE [STORE] pour les enregistrer dans la mémoire du NAD 414 RDS.

Choisir d'abord la bande de fréquences AM ou FM à l'aide du bouton AM ou FM. Si l'on souhaite ne rechercher que les principales stations locales, le NAD 414 RDS ne localise que les signaux de forte puissance (au moins trois barres sur l'Indicateur de Puissance du Signal), et coupe et ignore toutes les stations faibles. Si l'on souhaite inclure toutes les stations dans la recherche, y compris les plus faibles, arrêter la fonction Silence FM en appuyant sur le bouton SILENCE FM [FM MUTE]. L'activité ou l'inactivité de la fonction Silence FM sont indiquées sur le Panneau d'Affichage.

Appuyer sur ACCORDAGE AUTOMATIQUE [AUTOTUNE], puis tourner le bouton d'ACCORDAGE/PREREGLAGE [TUNE/PRESET] en sens horaire pour rechercher les stations en montant la bande de fréquences, ou en sens anti-horaire pour les rechercher en descendant la bande de fréquences.

Dès que le tuner s'accorde sur un signal d'émission suffisamment fort (donnant une indication d'au moins trois barres sur l'indicateur de puissance, et provoquant l'allumage de l'indicateur >ACCORDEE< [>TUNE<], la recherche automatique s'arrête sur la station correspondante. Si cette station émet des informations RDS, le témoin RDS s'allume et les initiales et la fréquence de la station sont indiquées par le Panneau d'Affichage. Si la station trouvée n'est pas une station RDS, l'affichage indique uniquement la fréquence.

Pour mettre cette station en mémoire en tant que station pré-réglée, appuyer sur MEMOIRE [MEMORY]. L'indicateur de Mémoire s'affiche, et la section de Pré-réglage s'allume sur le Panneau d'Affichage.

Appuyer sur BANQUE [BANK] pour choisir laquelle des trois Banques de Stations Pré-réglées doit être utilisée pour stocker la station. Tourner le bouton ACCORDAGE/PREREGLAGE [TUNE/PRESET] pour choisir le numéro de Station Pré-sélectionnée que l'on veut attribuer à la station (ce numéro clignote sur le Panneau d'Affichage), puis réappuyer sur MEMOIRE [MEMORY]. Le témoin Mémoire du Panneau d'Affichage s'éteint, et la station est désormais stockée dans la mémoire de votre NAD 411 RDS.

Une nouvelle station peut être stockée soit dans une Station Pré-réglée libre, soit à la place d'une Station Pré-réglée existante. En stockant une nouvelle station dans l'emplacement d'une Station Pré-réglée déjà utilisée, on efface toutes les données que contenait précédemment ce numéro de Station Pré-réglée.

Pour quitter le mode de Mise en Mémoire sans stocker une station, laisser les commandes sans y toucher. Le mode mémoire s'auto-annule après 8 secondes. Les Stations Pré-réglées sont stockées dans une mémoire non volatile, et resteront donc en mémoire même en cas de mise hors tension ou de débranchement du cordon d'alimentation du tuner.

SELECTION D'UNE STATION PREREGLEE

Pour sélectionner une Station Pré-réglée en Mémoire, appuyer sur le bouton de PREREGLAGE [PRESET], puis choisir la banque de stations pré-réglées que l'on souhaite utiliser en appuyant sur le bouton BANQUE [BANK]. Tourner le bouton

ACCORDAGE/PREREGLAGE [TUNE/PRESET] jusqu'à ce que le numéro de la station pré-réglée voulue soit affiché sur le Panneau d'Affichage. Le sélecteur saute les numéros de Stations Pré-réglées non affectés, et il n'est pas possible de sélectionner une Banque si elle ne contient pas au moins une station pré-réglée.

Pour rechercher une station convenable dans l'ensemble de la banque, appuyer sur ECHANTILLONNAGE [SCAN]. Le NAD 414 RDS balaye alors toutes les Stations Pré-réglées de la Banque actuelle, et échantillonne chacune d'elle pendant 6 secondes. Dès que l'on trouve une station convenable, il suffit de réappuyer sur ECHANTILLONNAGE [SCAN] pour arrêter le balayage.

EFFACEMENT D'UNE STATION PREREGLEE

Il est possible de vider une Station Pré-réglée en effaçant les informations stockées. Commencer par sélectionner la Station Pré-réglée à effacer, puis appuyer sur le bouton MEMOIRE [MEMORY] et, en maintenant la pression sur ce bouton, appuyer aussi sur le bouton SILENCE FM/MODE [FM MUTE/MODE]. La Station Pré-réglée en Mémoire est alors effacée, et le numéro de la station est remplacé par "—". Il est possible de stocker une nouvelle station dans une Station Pré-réglée déjà occupée en suivant simplement la procédure normale de stockage d'une Station Pré-réglée, et en écrasant l'ancienne station avec la nouvelle.

RECHERCHE ET MISE EN MEMOIRE DES STATIONS AM ET FM PAR ACCORDAGE MANUEL

On peut aussi ACCORDER [TUNE] des stations manuellement, pour les enregistrer dans la mémoire du NAD 414 RDS. Choisir d'abord la bande de fréquences AM ou FM, à l'aide du bouton AM ou FM. Mettre la fonction SILENCE FM [FM MUTE] en mode activé ou désactivé, suivant le cas.

Tourner ensuite le bouton ACCORDAGE/PREREGLAGE [TUNE/PRESET] en sens horaire pour balayer la bande de fréquences en montant, ou en sens anti-horaire pour la balayer en descendant.

Lorsque le tuner s'est verrouillé correctement sur une station, le témoin >ACCORDEE< [TUNED] s'allume. En cas de difficulté pour effectuer un accordage entre deux stations émettant sur des fréquences voisines, mettre le sélecteur de BANDE IF [IF BAND] sur "Etroite" ["Narrow"]. Votre NAD 414 RDS aura alors plus de facilité pour se verrouiller sur la station voulue.

Si la station émet des informations RDS, l'indicateur RDS s'allume et les initiales et la fréquence de la station sont affichées sur le Panneau d'Affichage. S'il s'agit d'une station non RDS, le Panneau d'Affichage indique uniquement la fréquence.

Stocker la station dans la mémoire en procédant de la manière décrite sous "Recherche et Mise en Mémoire des Stations AM et FM à l'aide de la fonction Auto-Accordage [Autotune]".

MISE EN MEMOIRE DU NOM D'UNE STATION

Lorsqu'une station émet des informations RDS, votre NAD 414 RDS indique automatiquement les initiales et la fréquence de la station dès que vous appelez le numéro de Station Préréglée qui lui correspond. Le Tuner affiche automatiquement la fréquence de toute autre station préréglée non RDS, et permet aussi d'entrer le nom de la station afin qu'il vous soit plus facile d'identifier la station stockée sous le numéro de Station Préréglée concerné.

Pour entrer le nom, il faut d'abord sélectionner la Station Préréglée à laquelle on souhaite affecter un nom. Appuyer ensuite sur CARACTERE [CHARACTER] : la premier espace caractère de la zone de Données Station du Panneau d'Affichage clignote. Tourner le bouton ACCORDAGE/PREREGLAGE [TUNE/PRESET] pour sélectionner le caractère souhaité (se référer à la liste des Caractères). Appuyer sur MEMOIRE [MEMORY] pour mettre le premier caractère en mémoire et passer à l'espace caractère suivant sur la ligne. Tourner à nouveau le bouton ACCORDAGE/PREREGLAGE [TUNE/PRESET], pour sélectionner le caractère suivant du nom, puis appuyer à nouveau sur MEMOIRE [MEMORY] pour le mettre en mémoire. Continuer de la même manière pour constituer le nom de la station (8 caractères maximum). Appuyer une nouvelle fois sur CARACTERE [CHARACTER] pour mettre en mémoire le nom complet. Cette fonction n'est disponible que pour les stations non RDS. Les stations RDS afficheront toujours le nom transmis par l'émetteur, et il est impossible de modifier ce nom à l'aide de la fonction CARACTERE [CHARACTER].

54 caractères sont disponibles, y compris un espace.

UTILISATION DU RDS

De plus en plus de stations FM émettent des services et informations supplémentaires à codage numérique, combinés avec le signal FM normal. Ce "système de données radio" ("Radio Data System" ou RDS) facilite la recherche de la bonne station en affichant son nom et sa fréquence. Ce système peut aussi afficher le type de programmation émise par la station de radio, si elle émet des informations routières, et peut même afficher des informations textuelles supplémentaires telles que le titre de la piste qui est en train de passer sur les ondes.

RDS facilite aussi la recherche d'autres stations susceptibles d'être intéressantes. A l'aide de la fonction SCAN, on peut rechercher la fréquence d'émission la plus forte de la station que l'on est en train d'écouter, trouver d'autres stations dont le programme est similaire, ou trouver d'autres stations qui émettent des informations routières.

Il existe six Services RDS, et bien que votre NAD 414 RDS soit capable de les afficher et de les utiliser tous, toutes les stations radio n'émettent pas les six. Certaines stations RDS se contentent d'émettre le Nom du Service Programme et l'Identification.

Les six Services RDS sont les suivants :

PS Nom du Service Programme

Indique les initiales de la station

PTY Type de Programme

Indique le type de programmation émise. Peut être utilisé pour rechercher d'autres programmes semblables émis par d'autres stations

TP Programme Routier

Indique si la station émet des informations routières. Peut être utilisé pour rechercher d'autres stations émettant des informations routières.

AF Autres Fréquences

S'utilise pour rechercher les autres fréquences sur lesquelles émet la station écoutée.

RT Texte Radio

Affiche d'autres informations concernant le programme écouté, telles que le nom du programme ou le titre de la piste en train de passer.

CT Heure Horloge

Lors de la réception d'une station RDS qui émet des informations CT, une horloge apparaît sur l'affichage dans la minute qui suit le captage de la station.

AFFICHAGE DES INFORMATIONS RDS

Lors de la réception d'une station RDS, l'indicateur RDS apparaît sur le Panneau d'Affichage, et votre NAD 414 RDS utilise le Nom du Service Programme (PS) pour afficher les initiales et la fréquence de la station dans la partie Données Station du Panneau d'Affichage. Pour voir les autres informations RDS, on appuie sur le bouton d'AFFICHAGE [DISPLAY].

Une première impulsion sur AFFICHAGE [DISPLAY] affiche l'Identification du Programme, c'est à dire le nom complet de la station, sa description et sa fréquence.

Si la station n'émet aucune Identification de Programme, l'affichage indique "No Text" ("aucun texte").

Une deuxième impulsion sur AFFICHAGE [DISPLAY] affiche les informations Texte Radio, si la station en émet.

Si la station n'émet aucune donnée Texte Radio, l'affichage indique soit "No Update" ("aucune mise à jour"), soit l'heure.

Il faut deux ou trois secondes pour émettre la totalité de l'information Texte Radio. Si la section RDS du tuner attend d'être mise à jour par l'émission, le mot "WAIT" ("ATTENDRE") apparaît sur le Panneau d'Affichage.

Une troisième impulsion sur AFFICHAGE [DISPLAY] affiche la fréquence sur laquelle est accordé votre NAD 414 RDS.

Pour les stations non RDS, le bouton permute entre l'affichage du nom de la station défini par l'utilisateur (le cas échéant) et la fréquence de la station.

Station RDS	Station non RDS
Normal	
Initiales de la station RDS (PS)	Nom de la station mis en mémoire par l'utilisateur (ou fréquence, si aucun nom n'a été défini)
Appuyer sur : AFFICHAGE [DISPLAY] :	
x 1 RT*	Fréquence actuellement accordée
x 2 CT*	-
x 3	Fréquence actuellement accordée -

* Pour toute information concernant le Radio Data System, se reporter à la liste dans la section "UTILISATION DU RDS"

UTILISATION DU RDS POUR RECHERCHER LES STATIONS ET LES INFORMATIONS

Le RDS permet de rechercher automatiquement les autres stations émettant une programmation semblable, ou fournissant des informations routières, ou qui sont des transmissions plus puissantes de la même station sur d'autres fréquences.

Pour utiliser le RDS pour rechercher des stations émettant des programmes de type similaire, appuyer une fois sur le bouton PTY TP AF. Le type de programme de la station actuelle s'affiche pendant deux secondes dans la partie Données Station du Panneau d'Affichage (voir la liste ci-après). Appuyer sur ECHANTILLONNAGE [SCAN] pendant l'affichage de cette information, et votre NAD 414 RDS recherchera automatiquement les autres stations RDS émettant le même type de programme. Chaque station correspondant au type recherché passe pendant six secondes, pendant lesquelles sa fréquence clignote ; Scan passe ensuite à la station suivante émettant le même type de programme. Appuyer à nouveau sur ECHANTILLONNAGE [SCAN] pour arrêter la séquence d'échantillonnage sur une station quelconque.

Pour rechercher un type de programme particulier, appuyer une fois sur le bouton PTY TP AF, puis utiliser le bouton ACCORDAGE/PREREGAGE [TUNE/PRESET] pour choisir le type de programme à rechercher. Appuyer sur ECHANTILLONNAGE [SCAN] pour lancer la recherche des stations correspondant à la description.

Pour utiliser le RDS pour rechercher des stations émettant des informations routières (normalement à la suite des flashes d'informations), appuyer deux fois sur le bouton PTY TP AF, puis appuyer sur le bouton ECHANTILLONNAGE [SCAN]. Votre NAD 414 RDS recherchera la première station RDS qui inclut des informations routières dans ses émissions. "**TP**" indique une station qui inclut des informations routières, alors que "TP" indique une station qui

n'émet aucune information routière ou une station non RDS.

Pour utiliser le RDS pour rechercher un signal plus puissant pour la même station, appuyer trois fois sur le bouton PTY TP AF, puis appuyer sur ECHANTILLONNAGE [SCAN]. Votre NAD 414 RDS recherchera le signal le plus puissant pour la station écoutée.

Cette fonction trouve toute son utilité sur les autoradios, car elle les permet, pendant les déplacements, de capter en permanence le signal le plus puissant d'une station de radio nationale. De plus elle permet aussi de vérifier que l'on est bien accordé sur le meilleur signal pour la station concernée.

Options de recherche RDS

Appuyer sur PTY TP AF x1

PTY Type de Programme

S'utilise pour rechercher des programmes similaires émis par d'autres stations.

Appuyer sur PTY TP AF x2

TP Programme d'Informations Routières

S'utilise pour rechercher d'autres stations émettant des informations routières.

Appuyer sur PTY TP AF x3

AF Autres Fréquences

S'utilise pour rechercher d'autres fréquences fortes d'émission de la même station.

Les Types de Programme tombent dans l'une des quinze catégories suivantes :

Types de Programmes (PTY)

NONE	Aucune information n'est émise concernant le type de programme
NEWS	Actualités
AFFAIRS	Affaires courantes
INFO	Informations générales
SPORT	Sport
EDUCATE	Programmes éducatifs
DRAMA	Pièces de théâtre ou critiques théâtrales
CULTURE	Programmes culturels ou débats
SCIENCE	Programmes scientifiques
VARIED	Divers
POP M	Programmes de musique pop
ROCK M	Programmes de musique ROCK
M.O.R. M	Programmes de musique "Middle of the Road"
LIGHT M	Programmes de musique légère
CLASSICS	Programmes de grande musique
OTHER M	Autres types de musique : Jazz, Folk, Country, Reggae, Rhythm & Blues, etc ...

Affichage de l'heure (CT)

Si la station que l'on écoute n'est pas une station RDS, cette fonction ne peut pas être utilisée.

1. Appuyer sur le bouton d'AFFICHAGE [DISPLAY] : l'information RT sera affichée.

2. Appuyer une deuxième fois sur le bouton d'AFFICHAGE [DISPLAY] .



Une horloge apparaît sur l'affichage dans la minute qui suit le captage d'une station émettant des informations de type CT.

"NO UPDATE" (PAS DE MISE A JOUR) ou "NO TIME" (PAS D'HEURE) s'afficheront plusieurs secondes

après avoir capté une station n'émettant pas des informations CT. Les informations PS sont ensuite affichées.

DEPANNAGE

AUCUN SON

Cordon secteur débranché, ou alimentation coupée. Vérifier le cordon secteur.

Câbles de signaux mal branchés.

Vérifier les branchements de l'amplificateur.

Aucune station sélectionnée, ou signal faible alors que la fonction Silence FM [FM Mute] est active.

Réaccorder la station, ou couper la fonction Silence FM [FM Mute].

Fusible interne grillé.

Consulter le revendeur.

PAS DE SON SUR UNE VOIE

Câbles de signaux débranchés de l'amplificateur ou détériorés.

Vérifier les câbles et les branchements.

BRUIT

Sifflement - Signal faible.

Contrôler l'indicateur de puissance. Vérifier l'accordage de la station. Régler ou remplacer l'antenne.

Distorsion - Signaux reçus sous plusieurs angles, ou interférences provenant d'autres stations.

Vérifier l'accordage de la station. Régler ou remplacer l'antenne.

Sifflements ou bourdonnements sur la bande FM et sur la bande AM : Interférences en provenance d'autres sources électriques - ordinateurs, consoles de jeux.

Vérifier l'accordage de la station. Eteindre ou déplacer la source du bruit électrique.

Sifflements ou bourdonnements sur la bande AM : Interférences en provenance d'éclairages ou de moteurs électriques.

Vérifier l'accordage de la station. Régler ou remplacer l'antenne AM.

AUCUNE INFORMATION RDS

Le signal de la station est trop faible.

Observer l'indicateur de puissance du signal. Vérifier l'accordage du signal. Régler ou remplacer l'antenne.

La station n'émet pas en RDS.

Aucun remède.

	A	B	C	D	E	F	G	H
I	J	K	L	M	N	O	P	Q
R	S	T	U	V	W	X	Y	Z
"	#	'	:	;	+	,	-	
.	/	=	?	@	:	3	1	0
1	2	3	4	5	6	7	8	9

54 caractères sont disponibles, y compris un espace.

HINWEIS ZUM AUFSTELLEN

Stellen Sie den NAD 414RDS auf eine feste, ebene Fläche. Das Gerät nicht direktem Sonnenlicht aussetzen bzw. neben Heizquellen oder in feuchten und schlecht belüfteten Räumen aufstellen. Das Gerät wird mit Phonoleitungen zum Anschluß an Ihren Verstärker geliefert. Leitungen und Anschlüsse auf Schäden überprüfen. Alle Anschlüsse müssen fest eingesteckt sein. Soll das Gerät über einen längeren Zeitraum nicht benutzt werden, den Stecker aus der Netzsteckdose ziehen.

Falls Wasser in Ihren NAD 414RDS gelangt, den Strom abschalten und das Netzkabel aus der Steckdose ziehen. Lassen Sie das Gerät vor dem erneuten Einschalten von einem Service-Techniker überprüfen.

Die Abdeckung nicht entfernen, da sich dort keine Teile befinden, die vom Anwender zu warten sind.

Das Gerät mit einem trockenen, weichen Tuch reinigen. Gegebenenfalls das Tuch leicht mit Seifenlauge befeuchten. Keine Benzollösungen oder sonstigen flüchtigen Mittel verwenden.

SCHNELLSTART

1. Die linken und rechten Ausgänge des NAD 414RDS mit der Phono-an-Phono-Leitung an den Tuner-Eingang Ihres Verstärkers anschließen.
2. Das Netzkabel einstecken.
3. Die UKW- und MW-Antenne anschließen.
4. Den NAD 414RDS durch Drücken der Taste POWER (Strom) einschalten.
5. Für den MW- bzw. UKW-Empfang die Taste AM (MW) bzw. FM (UKW) drücken.
6. Über TUNE/PRESET einen Sender wählen.

ANSCHLÜSSE AUF DER RÜCKSEITE

1. UKW-ANTENNE

Eine UKW-Drahtantenne ist im Lieferumfang enthalten; diese ist an der Geräterückseite an den FM-Anschluß anzuschließen (bei Australian-Versionen ist der mitgelieferte "Balun"-Adapter zu verwenden - siehe Abb. 1). Die Drahtantenne ist so auf einer vertikalen Fläche zu montieren, daß sie ein "T" bildet.

Die Antennen versuchsweise ausrichten, um Signalstärke und Hintergrundgeräusch zu optimieren. Beachten Sie dabei den Signalstärkemesser.

Ein zu schwaches UKW-Signal hat normalerweise besonders bei Stereowiedergabe hohe Rauschpegel und Störungen von externen Elektroeinrichtungen zur Folge. In Gegenden mit schwachem UKW-Empfang kann die Leistung des Tuners durch eine im Freien angebrachte UKW-Antenne verbessert werden. Ein Antennenfachmonteur wird Sie bei der Auswahl und Montage der für Ihre Empfangsbedingungen richtigen Antenne beraten.

2. MW-ANTENNE

Für den MW-Empfang ist eine Antenne erforderlich; dem NAD 414RDS ist eine MW-Ringantenne beigegepackt. Zum Anschluß der MW-Antenne als erstes die Zungen an den Antennenklemmen nach unten drücken. Die freiliegenden Antennendrähte in die beiden Klemmenlöcher einführen; die Anschlußzungen wieder nach oben drücken, um den Anschluß zu sichern.

Die Antenne versuchsweise an verschiedenen Orten aufstellen; für den besten Empfang ist jeweils sicherzustellen, daß die Schleife vertikal steht. Die Antennen nicht neben große Metallobjekte (z.B. Metallregale oder Heizkörper) stellen, da diese den Empfang stören können (siehe Abb. 2).

3. OUTPUT (Ausgang)

Der Analogaudioausgang des 414. Den linken (weißen) und den rechten (roten) Ausgang an den Eingang des Tuners bzw. an einen anderen Hochpegel-Eingang (z.B. den Eingang AUX an Ihrem Verstärker) mit einer Phono-an-Phono-Doppelleitung verbinden. Dieses Kabel darf nicht an die Eingangsbuchsen PHONO des Verstärkers angeschlossen werden.

4. NAD-LINK IN OUT (NAD-Verbindung Ein/Aus)

Der Anschluß NAD-LINK dient zur Übertragung von Befehlen von anderen, mit NAD-LINK-Anschlüssen ausgestatteten Einrichtungen. Hierdurch kann die komplette Anlage zentral gesteuert werden; außerdem lassen sich einige Grundfunktionen des NAD 414RDS über die Fernbedienung eines über NAD-LINK verbundenen Verstärkers steuern bzw. die Anlage läßt sich von mehreren Räumen aus steuern. Zur gemeinsamen Funktion mit anderen Geräten die Buchse NAD-LINK OUT des Tuners mit der Buchse NAD-LINK IN am anderen Gerät verbinden. Die NAD-LINK-Anschlüsse können in Reihe angeschlossen werden, IN an OUT, so daß die gesamte Anlage über die Fernbedienung eines Gerätes gesteuert werden kann.

5. AC LINE CORD (Netzstromkabel)

Das Netzkabel an die Netzsteckdose anschließen.

Das Netzstromkabel in eine stromführende Netzsteckdose bzw. in einen Wechselstromausgang auf der Rückseite Ihres Verstärkers einstecken.

BEDIENLEISTE

1. POWER ON/OFF (Netzschalter Ein/Aus)

Über die Taste POWER wird der Tuner ein- bzw. ausgeschaltet. Durch Drücken der Taste POWER wird der Tuner eingeschaltet; nun leuchtet das Anzeigefeld. Durch abermaliges Drücken der Taste POWER wird der Tuner ausgeschaltet.

Bei Unterbrechung der Stromversorgung an die



Elektronik des NAD 414RDS bleiben die abgespeicherten Einstellungen jedoch erhalten.

ACHTUNG: Steht die Taste POWER auf OFF (Aus) schaltet der Strom nicht vollkommen ab. Wenn Sie den NAD 414RDS über einen längeren Zeitraum nicht gebrauchen, ziehen Sie den Stecker bitte aus der Steckdose.

2. IF BAND

Breiter (WIDE) bzw. enger (NARROW) IF-Bandbetrieb wird durch Drücken der Taste IF BAND gewählt. Die Standardeinstellung ist WIDE (breit), die für die meisten Empfangsverhältnisse geeignet ist. Wenn jedoch zwei Radiosender mit dicht nebeneinander liegenden Frequenzen senden, wird durch Wahl vom engem Bandbetrieb über NARROW die Störung vom unerwünschten Sender herabgesetzt.

3. CHARACTER (Zeichen)

Über die Taste CHARACTER werden die Namen von programmierten Sendern eingegeben, die bei Auswahl angezeigt werden. Wird mit dem Knopf TUNE/PRESET (Suchen/Vorgabe) (11) und der Speichertaste MEMORY (8) verwendet.

4. DISPLAY (Anzeige)

Durch Drücken der Anzeigetaste DISPLAY wird zwischen den im Anzeigefeld erscheinenden Senderanzeigoptionen geschaltet.

Optionen

RDS-Sender	Nicht RDS-Sender
Normal	
PS*	Vom Benutzer eingegebener Sendername

Die Taste DISPLAY einmal drücken

RT* Senderfrequenz

Die Taste DISPLAY zweimal drücken

CT* -

Die Taste DISPLAY dreimal drücken

Frequenz -

* Weitere Angaben über den Radiodatendienst (Radio Data Service, RDS) sind in Abschnitt "Über den Umgang mit RDS" aufgeführt.

5. PTY TP AF

Über die Taste PTY TP AF können Sie andere Sender in Verbindung mit der Suchtaste SCAN (6) mit Hilfe der RDS-Einrichtungen Programmart, Verkehrsinformationen (Traffic Information) und alternative Frequenzen (Alternative Frequencies) durchsuchen. Die Informationen werden drei Sekunden lang angezeigt; es werden anschließend die Kennbuchstaben und Frequenz des Senders wieder angezeigt.

Informationen im Anzeigefeld

RDS-Sender	Nicht-RDS-Sender
Normalbetrieb	
Senderkennbuch	Senderfrequenz
	staben und -frequenz

PTY TP AF drücken	
PTY Programmart	Nicht-RDS

PTY TP AF drücken	
TP Verkehrsinformationen	TP

PTY TP AF drücken	
AF Alternative	NICHT-RDS
Frequenzen	

6. SCAN (Durchsuchen)

Nach Drücken der Taste SCAN durchsucht der NAD 414RDS alle programmierten Sender, um jeden programmierten Sender in einer bestimmten Speicherbank abzutasten. Es wird jeder Sender sechs Sekunden lang abgespielt und dann auf den nächsten programmierten Sender fortgeschaltet. Am gewünschten Sender die Taste SCAN erneut drücken, um den Suchlauf abzubrechen. Der Suchvorgang SCAN wird auch in Verbindung mit der Taste PTY TP AF (5) des NAD 414 benutzt, um das stärkste Signal für den jeweiligen Sender, Sender mit ähnlichem Programminhalt, oder Sender, die Verkehrsansagen bringen, zu finden.

7. BANK (Speicherbank)

Durch Drücken der Taste BANK die drei Vorgabenspeicher (A, B und C) anwählen. Diese Banken können bis zu zehn MW- und UKW-Sender gemischt speichern. Die jeweils angewählte Speicherbank erscheint im Anzeigefeld.

8. MEMORY (Speicher)

Mit der Speichertaste MEMORY werden die Sendervorgaben in den drei Speicherbanken bzw. die benutzerdefinierten Namen für Nicht-RDS-Sendervorgaben gespeichert. Die Taste MEMORY wird in Verbindung mit der Taste PRESET (12) und dem Drehknopf TUNE/PRESET (11) verwendet. Bei aktiver MEMORY-Funktion blinkt die Vorgabenummer und im Anzeigefeld leuchtet die rote MEMORY-Meldeleuchte.

9. FM MUTE/MODE (UKW-Suchlauf/-Dämpfung)

Bei einem starken Stereo-UKW-Signal schaltet Ihr NAD 414RDS automatisch auf Stereo-UKW-Betrieb, wobei die STEREO-Meldelampe im Anzeigefeld leuchtet und der Tuner beim Suchlauf gedämpft wird.

Bei schwachen Stereosignalen entsteht u.U. starkes Sirren im Hintergrund; in diesem Fall durch Drücken der Taste FM MUTE/MODE auf Mono-Betrieb schalten, um dieses Sirren weitgehend oder ganz auszuschalten. Erneutes Drücken der Taste FM MUTE/MODE schaltet wieder auf automatischen Stereo-UKW-Betrieb. Der aktuelle Schaltzustand der

UKW-Dämpfung (Ein/Aus) wird im Anzeigefeld angezeigt; der Schaltzustand Auto/Mono-Betrieb wird im APR-Bereich des Anzeigefeldes angezeigt.

10. AUTOTUNE (Sendersuchlauf)

Durch Drücken der Taste AUTOTUNE den NAD 414RDS auf AUTOTUNE-Betrieb schalten. Durch Drehen des Drehknopfes TUNE/PRESET (11) nach links oder rechts den Sendersuchlauf nach dem nächsten brauchbaren Signal (mindestens drei Striche am Signalstärkemesser) auslösen.

11. TUNE/PRESET (Suchen/Vorgabe)

Mit dem Drehknopf TUNE/PRESET einen Sender manuell oder automatisch suchen, einen vorprogrammierten Sender wählen oder Senderstationen im NAD 414RDS benennen.

12. PRESET (Vorgabe)

Mit der Taste PRESET nach Belieben einen in einer Speicherung vorprogrammierten Sender anwählen. Über die Taste BANK (7) die entsprechende Speicherbank wählen und mit dem Drehknopf TUNE/PRESET den gewünschten Sender wählen. Vorgabenummer und Name bzw. Frequenz des Senders erscheinen im Anzeigefeld.

13. FM (UKW)

Mit der Taste FM den Tuner auf UKW schalten. Im Anzeigefeld erscheinen Frequenz und Wellenbereich des aktuellen Senders. Der UKW-Skalenteilungswert beträgt 0,025 MHz.

14. AM (Mittelwelle)

Mit der Taste AM den Tuner auf Mittelwelle schalten. Im Anzeigefeld erscheinen Frequenz und Wellenbereich des aktuellen Senders. Der MW-Skalenteilungswert beträgt 9 kHz.

Bei Mittelwelle-Sendern bleiben die Tasten IF BAND, FM MUTE/MODE, DISPLAY, PTY TP AF ohne Wirkung.

15. ANZEIGEFELD

Im Anzeigefeld erscheinen Informationen über die Betriebsarten des NAD 414RDS und den aktuellen Sender.

In der Anzeige STATION DATA (Senderdaten) erscheinen Sendernamen, -frequenz und andere vom RDS-Dienst bereitgestellte bzw. vom Benutzer eingegebene Informationen.

APR-Bereich

RF MODE (HF-Betrieb). Ihr NAD 414RDS wählt automatisch den für das vorhandene Signal optimalen HF-Betrieb. Bei normal starken Signalen wird DX gewählt und bei Sendern mit sehr starkem, eventuell verzerrendem Funksignal wird LOCAL gewählt.

STEREO MODE (Stereobetrieb). Entweder schaltet der Tuner automatisch bei vorhandenem

Stereosignal auf STEREO (AUTO-Betrieb) oder er ist ständig auf MONO geschaltet. Zeigt an, ob der Tuner auf FM MUTE/AUTO MODE (ON) oder FM MUTE OFF/MONO MODE (OFF) geschaltet ist.

SIGNAL STRENGTH (Signalstärke). Zeigt die Stärke des vorhandenen Funksignals als Strichbalken mit maximal fünf Strichen an. Einer oder zwei Striche zeigen ein nicht ausreichend starkes, eventuell störungsanfälliges Signal an.

FM MUTE (UKW-Dämpfungsanzeige). Zeigt an, ob der Tuner auf den Betrieb FM MUTE/AUTO MODE (ON) oder FM MUTE OFF/MONO MODE (OFF) geschaltet ist.

>TUNED< (Abgestimmt). Zeigt an, daß die Abstimmung optimiert ist.

STEREO-Anzeige. Zeigt an, daß ein UKW-Sender in Stereo sendet und der Tuner im Auto-Betrieb arbeitet.

MEMORY (Senderspeicheranzeige). Die Senderspeicheranzeige leuchtet bei aktiver Senderspeicherfunktion bzw. Eingabe von Sendern bzw. Zeichen.

RDS (Radiodatendienst-Anzeige). Zeigt an, daß der aktuelle Sender RDS-Informationen sendet.

BANK (Speicherbankanzeige). Zeigt die gegenwärtig gewählte Speicherbank an.

PRESET NUMBER (Sendervorgabenummer-Anzeige). Zeigt die Nummer der gegenwärtigen Sendervorgabe an.

WÄHLEN UND ABSPEICHERN VON MW- UND UKW-SENDERN MIT DER AUTOTUNE-EINRICHTUNG

Sie können im Suchbetrieb Sender automatisch suchen und im Speicherbetrieb abspeichern.

Zuerst über die AM/FM-Taste das Mittelwellen-/UKW-Wellenband anwählen. Wenn Sie die Hauptsender in Ihrer Gegend aussuchen wollen, sucht der NAD 414RDS nur starke Signale (ab 3 Striche am Signalstärkemesser), wobei alle schwachen Sender gedämpft und nicht berücksichtigt werden. Wenn Sie alle vorhandenen Signale einschließlich schwache durchsuchen wollen, durch Drücken der Taste FM MUTE die UKW-Dämpfung ausschalten. Der Schaltzustand ist im Anzeigefeld durch FM MUTE ON/OFF angezeigt.

Die Taste AUTOTUNE drücken und den Drehknopf TUNE/PRESET nach links bzw. rechts drehen, um das Frequenzband entsprechend zu durchsuchen.

Der automatische Suchlauf hört bei Auffindung eines angemessen starken Signals (mindestens 3 Striche am Signalstärkemesser und Leuchten der Meldelampe >TUNE<) auf. Werden RDS-Informationen gesendet, so leuchtet die RDS-Meldelampe bei gleichzeitiger Anzeige der Sender-Kennbuchstaben und -Frequenz im Anzeigefeld. Wird ein Nicht-RDS-Sender gefunden, so wird nur die Frequenz angezeigt. Den Sender gegebenenfalls über die Taste MEMORY als Vorgabe speichern. Die Meldelampe MEMORY leuchtet und im Anzeigefeld blinkt der Vorgabebereich.

Durch Drücken der Taste BANK die gewünschte



Sendervorgaben-Speicherbank anwählen. Durch Drehen des Drehknopfes TUNE/PRESET die gewünschte Vorgabenummer (blinkende Nummer im Anzeigefeld) wählen und die Taste MEMORY erneut drücken. Die Meldelampe MEMORY im Anzeigefeld erlischt und der Sender ist jetzt als Vorgabe abgespeichert.

Wird der Sender unter einer schon besetzten Vorgabenummer gespeichert, so wird der bisher unter dieser Nummer gespeicherte Sender gelöscht.

Wenn Sie den vorhandenen Sender doch nicht als Vorgabe speichern wollen, keine Steuereingriffe vornehmen; nach circa 8 Sekunden wird die Betriebsart Senderspeicher automatisch gelöscht. Die Sendervorgaben werden in leistungsloser Speicherung und deshalb von Trennung der Stromzufuhr unabhängig gespeichert.

WÄHLEN EINER SENDERVORGABE

Zum Wählen einer Sendervorgabe: Die Taste PRESET drücken. Durch Drücken der Taste BANK die gewünschte Sendervorgaben-Speicherbank wählen. Den Drehknopf TUNE/PRESET drehen, bis die gewünschte Vorgabe im Anzeigefeld erscheint. Es werden freie Vorgaben und leere Sendervorgaben-Speicherbanken übersprungen.

Wenn Sie die ganze Sendervorgaben-Speicherbank nach einem bestimmten Programm durchsuchen wollen, die Taste SCAN drücken. Der NAD 414RDS durchsucht dann alle Sendervorgaben in der jeweiligen Speicherbank, und läßt jeden vorhandenen Sender 6 Sekunden lang spielen. Beim gewünschten Sender die Taste SCAN erneut drücken, um Suchlauf zu unterbrechen.

LÖSCHEN EINER SENDERVORGABE

Um eine Sendervorgabe zu löschen, die Sendervorgabe wählen und die Taste MEMORY gedrückt halten und die Taste FM MUTE/MODE gleichzeitig drücken. Die Sendervorgabe ist jetzt gelöscht; die Vorgabenummer wird durch "--" ersetzt. Sie können jederzeit einen neuen Sender in diesem Speicherplatz als Vorgabe speichern.

WÄHLEN UND ABSPEICHERN VON MW- UND UKW-SENDERN MIT DER MANUELLEN TUNE-EINRICHTUNG

Sie können auch Sender manuell abstimmen und speichern: mit der Taste AM bzw. FM das Wellenband MW bzw. UKW wählen.

Die Funktion FM MUTE (UKW dämpfen) nach Belieben ein- bzw. ausschalten.

Den Drehknopf TUNE/PRESET nach links oder rechts drehen, um das Frequenzband aufwärts bzw. abwärts zu durchsuchen.

Bei Aufschalten einer Station leuchtet die Meldelampe >TUNE<. Lassen sich zwei nebeneinanderliegende Sender schwer auseinander halten, den Schalter IF BAND auf "NARROW" schalten, um das Aufschalten des gewünschten Senders zu erleichtern.

Werden RDS-Informationen gesendet, so leuchtet die RDS-Meldelampe und im Anzeigefeld erscheinen die Sender-Kennbuchstaben und -Frequenz. Bei Nicht-RDS-Sendern wird nur die Frequenz angezeigt.

Den Sender wie im Abschnitt "Wählen und Abspeichern von MW- und UKW-Sendern mit der AUTOTUNE-Einrichtung" abspeichern.

SPEICHERN EINES SENDERNAMENS

Werden RDS-Informationen gesendet, so zeigt der NAD 414RDS automatisch die Sender-Kennbuchstaben und -Frequenz bei Anwahl dieser Sendervorgabe an. Obwohl der Tuner automatisch die Frequenz aller Sendervorgaben anzeigt (auch Nicht-RDS-Vorgaben), kann auch jeweils eine Senderbezeichnung zur Erkennung der Sendervorgaben eingegeben werden.

Hierzu die zu nennende Sendervorgabe wählen.

Die Taste CHARACTER drücken; der Anzeigebereich Senderdaten im Anzeigefeld blinkt.

Den ersten Buchstaben durch Drehen des Drehknopfes TUNE/PRESET wählen (siehe hierzu die Zeichenliste). Die Taste MEMORY drücken; es wird der erste Buchstabe gespeichert und auf das nächste Zeichenfeld gerückt. Mit dem Drehknopf TUNE/PRESET den nächsten Buchstaben des Namens wählen. Die Taste MEMORY drücken, um diesen Buchstaben zu speichern. Diesen Vorgang wiederholen, bis die ganze Senderbezeichnung (maximal 8 Zeichen) eingegeben wurde. Die Taste CHARACTER erneut drücken, um die Senderbezeichnung zu speichern.

Dieser Vorgang gilt nur für Nicht-RDS-Sender. Bei RDS-Sendern wird stets der vom Sender ausgestrahlte Name angezeigt.

Im Zeichensatz sind 54 Zeichen einschließlich Leerfeld enthalten.

RDS-BETRIEB

Es werden zunehmend zusätzliche digital-codierte Dienste und Informationen im normalen UKW-Signal gesendet - der sogenannte Radiodatendienst, RDS. Es wird beispielsweise zur Erkennung des Senders der Name und die Sendefrequenz angezeigt. Angezeigt wird gegebenenfalls auch der Programminhalt; ob Verkehrsansagen durchgegeben werden oder nicht; Klartextmitteilungen wie beispielsweise der Name des gegenwärtig abspielenden Titels. Mit RDS können auch Sender gezielt gesucht werden. Mit der Durchlauffunktion (SCAN) können Sie:

- das jeweils stärkste Signal des gewünschten Senders,
- andere Sender mit ähnlichem Programminhalt,
- andere Sender, die Verkehrsansagen bringen, suchen.

Der NAD 414RDS Tuner ist für alle 6 vorhandenen RDS-Dienste ausgerüstet, die jedoch nicht von allen Sendern in vollem Umfang übertragen werden. Manche senden nur den Programmnamen und die Senderbezeichnung.

Die 6 RDS-Dienste sind:

PS Programmdienstname
Zeigt die Anfangsbuchstaben des Senders an

PTY Programmart
Zeigt die Art der gegenwärtigen Sendung an.
Hiermit kann nach inhaltlich verwandten Sendungen gesucht werden.

TP Verkehrsansagen
Zeigt an, ob der Sender Verkehrsansagen bringt.
Hiermit kann nach Sendern, die Verkehrsansagen bringen, gesucht werden.

AF Alternative Frequenzen
Hiermit kann nach anderen Frequenzen gesucht werden, auf denen diese Sendung gesendet wird.

RT Radiotext
Zeigt zusätzliche Informationen über die gegenwärtige Sendung wie beispielsweise Name der Sendung oder des gegenwärtig abspielenden Titels an.

CT Uhrzeit
Bei Aufschalten eines RDS-Senders, der CT-Informationen bringt, erscheint innerhalb einer Minute nach Aufschalten des Senders eine Uhr in der Anzeige.

ANZEIGE DER RDS-INFORMATIONEN

Bei Aufschalten eines RDS-Senders leuchtet im Anzeigefeld die RDS-Meldelampe; es werden auch die Anfangsbuchstaben (PS-Daten) und die Frequenz des Senders im Senderdatenbereich des Anzeigefeldes angezeigt.

Zur Anzeige weiterer RDS-Informationen die Taste DISPLAY drücken.

Die Taste DISPLAY einmal drücken: Es wird auf Senderkennung geschaltet und der volle Name, die Beschreibung und Frequenz des Senders angezeigt.

Wird keine Senderkennung übertragen, so wird die Meldung "No Text" (keine Angabe) angezeigt.

Die Taste DISPLAY ein zweites Mal drücken: Es werden gegebenenfalls Radiotext-Informationen angezeigt.

Wird kein Radiotext übertragen, so erscheint in der Anzeige entweder die Meldung "No Update" (nicht aktualisiert) oder die aktuelle Uhrzeit.

Die Übertragung von Radiotext-Informationen dauert 2 bis 3 Sekunden. Wird die RDS-Einrichtung des Empfängers aktualisiert, so erscheint im Anzeigefeld die Meldung "WAIT" (Warten).

Die Taste DISPLAY dreimal Mal drücken: Es wird die gegenwärtig eingestellte Frequenz Ihres NAD 414RDS Tuners angezeigt.

Bei Nicht-RDS-Sendern schaltet die Taste DISPLAY zwischen dem vom Benutzer eingegebenen Sendernamen (falls vorhanden) und der Frequenz.

RDS-Sender

Normal
RDS-Sender Kennbuchstaben (PS)

Die Taste drücken:

DISPLAY einmal
RT* Gegenwärtig gewählte Frequenz

DISPLAY zweimal
CT* -

DISPLAY dreimal
Gegenwärtig gewählte Frequenz -

Nicht-RDS-Sender

Vom Benutzer eingegebener Sendername (bei Nichtvorhandensein des Namens, die Frequenz)

* Weitere Angaben über den Radiodatendienst sind im Abschnitt "Umgang mit RDS" aufgezeichnet.

SENDER- UND INFORMATIONSSUCHE MIT RDS

RDS bietet folgende Suchfunktionen:

- Andere Sender mit ähnlichem Programminhalt.
- Andere Sender, die Verkehrsansagen bringen.
- Stärkere Signale des gleichen Senders mit anderen Frequenzen.

Den Suchlauf nach Sendern mit ähnlichem Programminhalt wird durch Drücken der Taste PTY TP AF ausgelöst. Der Programminhalt des gegenwärtigen Senders wird zwei Sekunden lang im Anzeigebereich Senderdaten im Anzeigefeld (siehe unten) angezeigt. Während dieser Zeit die Taste SCAN drücken; der NAD 414RDS sucht automatisch nach anderen RDS-Sendern mit ähnlichem Programminhalt. Es wird jeder entsprechende Sender 6 Sekunden lang mit blinkender Frequenzanzeige abgespielt und anschließend zum nächsten Sender mit ähnlichem Programminhalt weiterschaltet. Die Taste SCAN erneut drücken, um den Suchlauf beim gegenwärtig eingestellten Sender zu halten.

Um eine bestimmte Programmart zu wählen, die Taste PTY TP AF einmal drücken und den Drehknopf TUNE/PRESET entsprechend drehen. Durch Drücken der Taste SCAN Sender mit ähnlichem Programminhalt finden.

Durch Zweimaliges Drücken der Taste PTY TP AF und Drücken der Taste SCAN, Sender, die (normalerweise im Anschluß an die Nachrichten) Verkehrsansagen bringen, suchen. Der NAD 414RDS sucht den ersten RDS-Sender, der Verkehrsansagen bringt. Ein RDS-Sender, der Verkehrsansagen bringt, wird mit der Anzeige "TP*" gekennzeichnet. Ein RDS-Sender, der keine Verkehrsansagen bringt und Nicht-RDS-Sender werden mit der Anzeige "TP" gekennzeichnet.

Die Suche nach einem stärkeren Signal vom gegenwärtigen Sender wird durch dreimaliges Drücken der Taste PTY TP AF und Drücken der Taste SCAN ausgelöst. Der NAD 414RDS sucht das stärkste Signal des gegenwärtigen Senders.



Dies wird normalerweise in Automobil-Stereoanlagen zum automatischen Umschalten des stärksten Signals von einem nationalen Sender unterwegs benutzt. Diese Einrichtung dient aber auch allgemein zur Optimierung des jeweiligen Sendersignals.

RDS-Suchoptionen

Die Taste PTY TP AF einmal drücken
PTY-Programmarten
Sucht nach anderen Sendern mit ähnlichem Programminhalt

Die Taste PTY TP AF zweimal drücken
TP-Verkehrsansagen
Sucht nach anderen Sendern, die Verkehrsansagen bringen

Die Taste PTY TP AF dreimal drücken
AF Alternative Frequenzen
Sucht nach anderen starken Frequenzen, mit denen der gegenwärtige Sender sendet.

Es gibt 15 verschiedene Programmarten.
Programmarten (PTY)

NONE	Es werden keine Programmarten-Informationen gesendet.
NEWS	Nachrichtendienst
AFFAIRS	Tagesereignisse
INFO	Allgemeine Informationen
SPORT	Sportdienst
EDUCATE	Unterrichtsdienst
DRAMA	Schauspiele oder Dramen
CULTURE	Kultur/Gespräch
SCIENCE	Wissenschaftliches

VARIED	Allgemeines
POP M	Pop-Musik
ROCK M	Rock-Musik
M.O.R. M.	Maßvolle Musik
LIGHT M	Unterhaltungsmusik / leichte klassische Musik
CLASSICS	Klassische Musik
OTHER M	Andere Musikarten, wie beispielsweise Jazz, Volksmusik, Country-Musik, Reggae, Rhythm & Blues, usw.

Uhrzeitanzeige (CT)

Diese Funktion ist bei Nicht-RDS-Sendern ohne Wirkung.

1. Die Taste DISPLAY einmal drücken; RT-Informationen werden angezeigt.
2. Die Taste DISPLAY erneut drücken.

In der Anzeige erscheint innerhalb von einer Minute nach Empfang eines Senders mit CT-Informationen eine Uhr.

Innerhalb einiger Sekunden nach Empfang eines Senders ohne CT-Informationen erscheint in der Anzeige die Meldung NO UPDATE (keine Aktualisierung) oder NO TIME (keine Zeitangabe). Die PS-Informationen werden angezeigt.

STÖRUNGSBESEITIGUNG

KEIN TON

Netzstromleitung getrennt oder Strom nicht eingeschaltet.

Netzstromleitung überprüfen.

Signalleitungen falsch angeschlossen.

Anschlüsse an Verstärker überprüfen.

Sender nicht gewählt oder schwaches Signal mit eingeschalteter FM MUTE-Funktion.

Neu abstimmen oder die Funktion FM MUTE ausschalten.

Interne Sicherung durchgebrannt.

Ihren Fachhändler zu Rate ziehen.

KEIN TON AUF EINEM KANAL

Signalleitungen an Verstärker getrennt oder beschädigt.

Leitungen und Anschlüsse überprüfen.

GERÄUSCH

Sirren. Schwaches Signal.

Signalstärkemesser überprüfen. Senderabstimmung prüfen. Antenne einstellen bzw. ersetzen.

Verzerrung durch Mehrwegübertragung oder Störsender.

Senderabstimmung überprüfen. Antenne einstellen oder ersetzen. Mit der Taste IF auf "Narrow" (Eng) umschalten.

Pfeifen oder Summen bei UKW und MW. Störaussendungen von beispielsweise Computern, Computer-Spielgeräten.

Senderabstimmung überprüfen. Störquelle ausschalten oder umstellen.

Leuchtstofflampen oder Elektromotoren. Senderabstimmung überprüfen. MW-Antenne einstellen oder ersetzen.

Pfeifen oder Summen bei MW: Störung von

KEINE RDS-INFORMATIONEN

Sendersignal zu schwach.

Signalstärkemesser überprüfen. Senderabstimmung überprüfen. Antenne einstellen oder ersetzen.

Keine RDS-Übertragung.

Nicht zu beheben.

	A	B	C	D	E	F	G	H
I	J	K	L	M	N	O	P	Q
R	S	T	U	V	W	X	Y	Z
"	&	'	:	;	+	.	-	
.	!	=	?	@	^	~	0	
1	2	3	4	5	6	7	8	9

Im Zeichensatz sind 54 Zeichen einschließlich Leerfeld enthalten.

NOTAS SOBRE LA INSTALACION

Su NAD 414RDS debe colocarse sobre una superficie firme y nivelada. Evite colocar el equipo a la luz directa del sol, cerca de superficies calientes y húmedas o en posiciones de ventilación defectuosa.

Se entrega con fonosconductores para conexión con su amplificador. Asegure que los conductores y conectores no se dañen en modo alguno y que todos los conectores estén firmemente empujados en su posición. Si el equipo no va a usarse durante algún tiempo, desconecte el enchufe de la toma CA.

Si en su NAD 414RDS penetra agua, desconecte la alimentación eléctrica del equipo y quite el enchufe de la toma de CA. Haga que un técnico de servicio calificado inspeccione el equipo antes de intentar usarlo otra vez.

No quite la cubierta, en el interior no hay piezas cuyo servicio pueda hacer el usuario.

Use un paño seco suave para limpiar el equipo. Si es necesario, moje un poco el paño con agua jabonosa. No use soluciones que contengan benzol u otros agentes volátiles.

PUESTA RAPIDA EN FUNCIONAMIENTO

1. Use el conductor fono-a-fono para conectar las salidas izquierda y derecha del NAD 414RDS con la TUNER INPUT (entrada de sintonizador) de su amplificador.
2. Enchufe el cordón de alimentación CA.
3. Conecte la antena de AM y FM.
4. Pulse el pulsador POWER (alimentación eléctrica) para poner en funcionamiento el NAD 414RDS.
5. Pulse el pulsador AM o FM para seleccionar recepción de AM o FM.
6. Use TUNE/PRESET (sintonización/preajuste) para seleccionar una estación.

CONEXIONES DEL PANEL TRASERO**1. ANTENA DE FM**

Se incluye una antena de FM de hilo de cinta que debe conectarse al conector de FM en la parte trasera del equipo (las versiones del Australia usan el adaptador 'balun' que se suministra - vea fig 1) La antena de cinta debe montarse sobre una superficie vertical y colocarse de modo que forme una 'T'.

Experimente colocando la antena para hallar la posición que da la mejor fuerza de señal y el ruido de fondo más bajo. El medidor de fuerza de señal

situado en el Panel Visualizador ayuda a indicar las mejores posiciones de antena.

Normalmente una señal de FM inadecuada produce altos niveles de ruido sibilante, especialmente en estéreo, e interferencia desde las fuentes eléctricas externas. En áreas de defectuosa recepción de FM, se puede mejorar el rendimiento de la sección de sintonizador utilizando una antena de FM montada externamente. Un instalador calificado de antenas

podrá asesorarle y montar una antena recomendada para las condiciones de recepción de usted.

2. ANTENA DE AM

Se suministra con el NAD 414RDS una antena de bucle de AM que se necesita para la recepción de AM. Para conectar la antena de AM, primero presione las clavijas de los terminales de Antena hacia abajo. Inserte los hilos desnudos de antena en los orificios de terminal y empuje hacia arriba otra vez las clavijas de conector para sujetar la conexión.

Compruebe varias posiciones para la antena, pero asegure siempre que el bucle esté verticalmente colocado para la mejor recepción. Si se coloca la antena junto a artículos metálicos grandes tales como estanterías metálicas o radiadores se puede interferir con la recepción (vea fig 2).

3. OUTPUT (SALIDA)

Salida analógica de audio del 414. Usando conductores dobles fono-a-fono conecte las salidas de izquierda (color blanco) y derecha (color rojo) con la entrada de 'Tuner' u otra entrada de nivel de línea como la entrada 'Aux' (auxiliar) de su amplificador. No conecte este cable con los jack de entrada PHONO del amplificador.

4. NAD-LINK IN OUT (ENTRADA-SALIDA DE CONECTOR NAD LINK)

El conector NAD-Link se usa para transmitir órdenes desde otros equipos equipados con conectores NAD-Link. Esto permite el control central de un sistema completo, y permite también controlar algunas de las funciones del NAD 414RDS usando un control remoto de amplificador con conexión NAD-Link o da control de sistema desde más de una habitación. Para funcionar con otros equipos, conecte NAD-Link OUT del Sintonizador con NAD-Link IN del otro equipo. Los conectores NAD-Link se pueden encadenar en margarita, IN con OUT, de modo que todo el sistema pueda controlarse desde las facilidades de control remoto de un equipo.

5. CORDON DE LINEA DE CA

Conecte este cordón de alimentación eléctrica con una toma de pared de la red de CA.

Enchufe el cordón de alimentación eléctrica de CA a una toma de pared con corriente de CA o a una toma cómoda de CA situada en la parte trasera de su amplificador.

CONTROLES DEL PANEL DELANTERO

FUNCIONES DE ALIMENTACION, ALTAVOCES Y AURICULARES

1. POWER ON/OFF (ALIMENTACION CONECTADA/DESCONECTADA)

POWER conmuta el tocadiscos en conectado o desconectado. Si se aprieta el interruptor de alimentación se conecta el Sintonizador, lo que se indica al ponerse en activo el Panel Visualizador. Si se pulsa otra vez el pulsador POWER el tocadiscos queda desconectado.

Cuando está en Off, no se alimenta electricidad a los sistemas electrónicos del NAD 414RDS pero siguen memorizados todavía todos los ajustes de Preajuste de Memoria.

PRECAUCION: La alimentación eléctrica no se desconecta completamente cuando el pulsador POWER está en Off. Rogamos desconecte su NAD 414RDS de la toma de CA cuando no se vaya a usar durante un largo período de tiempo.

2. IF BAND (BANDA DE FRECUENCIA INTERMEDIA)

Si se pulsa el pulsador IF BAND se selecciona funcionamiento de banda Ancha o Estrecha IF según se indica con los diodos LED que hay junto al pulsador. El ajuste normal es WIDE (ancha) que es adecuado para la mayoría de las condiciones de recepción. No obstante, si hay dos estaciones de radio recibidas que funcionan con frecuencias muy próximas entre sí, la selección NARROW (estrecha) ayudará a rechazar la interferencia de la estación no deseada.

3. CHARACTER (CARACTER)

El Pulsador CHARACTER se usa para dar entrada a los nombres de las estaciones de radio de Preajuste para visualizarlo cuando se selecciona la estación. Se utiliza junto con el botón TUNE/PRESET (11) y los Pulsadores MEMORY (8).

4. DISPLAY (VISUALIZADOR)

Si se pulsa el pulsador DISPLAY se conmuta entre las opciones de visualizador de estación que se ven en el Panel Visualizador.

Opciones	Estación RDS	Estación no RDS
Normal	PS *	Nombre de estación entrado por usuario
Pulsando:		
DISPLAY x 1	RT *	Frecuencia de estación
DISPLAY x 2	CT *	-
DISPLAY x 3	Frecuencia	*

* Para información sobre Radio Data Service RDS (Servicio de datos de radio), vea la lista de la sección "USO DEL RDS".

5. PTY TP AF (Tipo de Programa Información de Tráfico Frecuencias Alternativas)

Si se pulsa PTY TP AF se le permite a usted buscar otras estaciones usando dispositivos de Tipo de Programa RDS, Información de Tráfico y de Frecuencias Alternativas y se usa con el pulsador SCAN (6) (exploración). La información se visualiza durante tres segundos después de los cuales el visualizador vuelve a mostrar las iniciales y frecuencia de la estación.

Información del Panel Visualizador

Estación RDS	Estación No RDS
Funcionamiento normal	
Iniciales y frecuencia de estación	Frecuencia de estación
Pulsando PTY TP AF	
PTY Tipo Programa	'NOT RDS'
Pulsando PTY TP AF	
TP Información de Tráfico	'TP'
Pulsando PTY TP AF	
AF Frecuencias Alternativas	'NOT RDS'

6. SCAN (EXPLORACION)

Si se pulsa SCAN se pone al NAD 414RDS en exploración a través de cada una de las estaciones de Preajuste para muestreo automático de cada una de las estaciones de Preajuste que hay en una Bancada de Memoria particular. Cada estación se escucha durante seis segundos y luego Scan pasa a la siguiente estación de Preajuste. Cuando se escuche una estación adecuada, pulse otra vez SCAN para cancelar el proceso de Exploración. Además se usa SCAN junto con el Pulsador PTY TP AF (5) del NAD 414 para encontrar la versión de señal más fuerte de la estación actual, estaciones que tengan programación similar, o estaciones que en sus transmisiones tengan información de tráfico.

7. BANK (BANCADA)

Si se pulsa BANK se cambia entre las tres Bancadas de Memoria de Preajustes (A, B o C). Estas Bancadas pueden tener una mezcla de hasta diez estaciones de AM y FM. La Bancada seleccionada se muestra en el Panel Visualizador.

8. MEMORY (MEMORIA)

Se usa para memorizar las estaciones que hay en las tres bancadas de Preset Memory o para memorizar los nombre definidos por el usuario para estaciones de Preajuste no RDS. Se utiliza junto con el pulsador PRESET (12) y el botón TUNE/PRESET (11). Cuando está activa la Memoria el número de Preajuste centellea y se muestra en el Panel Visualizador el indicador rojo 'Memory'.

9. FM MUTE/MODE (SILENCIAMIENTO/MODO DE FM)

Si se recibe una fuerte señal de FM estéreo, su NAD 414RDS se pone automáticamente en funcionamiento FM Estéreo, lo que se muestra por el indicador STEREO en el Panel Visualizador, y el sintonizador se silencia cuando se busca entre estaciones.

No obstante, las señales estéreo débiles pueden tener un alto nivel de ruido sibilante de fondo. Conmutando a Modo Mono pulsando el pulsador FM MUTE/MODE se cancela la mayor parte o todo este ruido de fondo. Pulse otra vez el interruptor FM MUTE/MODE para volver al funcionamiento FM Estéreo Automático. El estado de la función FM MUTE ON/OFF se muestra en el Panel Visualizador y el AUTO/Modo Mode se muestra en la sección APR del Panel Visualizador.

10. AUTOTUNE (SINTONIZACION AUTOMATICA)

Si se pulsa el Pulsador AUTOTUNE el NAD 414RDS se pone en modo Autotune. Girando a la derecha o a la izquierda el botón TUNE/PRESET (11) el sintonizador busca hacia arriba o hacia abajo las frecuencias de radio para encontrar la primera estación que se recibe con una señal razonablemente fuerte (tres o más barras en el Medidor de Fuerza de Sintonización).

11. TUNE/PRESET (sintonización/preajuste)

Se usa el botón TUNE/PRESET para sintonizar manual o automáticamente con una estación de radio, seleccionar una estación de Preajuste o programar nombres de estación en su NAD 414RDS.

12. PRESET

Pulsar PRESET le permite seleccionar cualquiera de las estaciones que se han memorizado en las Bancadas de Memoria de Preajustes. Seleccione la Bancada en que usted ha memorizado la estación usando el pulsador BANK (7) (bancada) y luego gire el botón TUNE/PRESET para seleccionar la estación de Preajuste requerida. El número de Preajuste y el nombre se muestran en el Panel Visualizador.

13. FM

El pulsador FM pone el sintonizador en recepción de FM. El Panel Visualizador muestra la frecuencia de la estación sintonizada y la banda que se ha seleccionado. La sintonización de FM se hace en incrementos de 0,025 MHz.

14. AM

El pulsador AM pone el sintonizador en recepción de AM. El Panel Visualizador muestra la frecuencia de la estación sintonizada y la banda que se ha seleccionado. La sintonización de AM se hace en incrementos de 9 kHz.

Los pulsadores IF BAND/FM MUTE/MODE, DISPLAY, PTY TP AF no funcionan para estaciones de AM.

15. PANEL VISUALIZADOR

El Panel Visualizador muestra información sobre los modos operativos del NAD 414RDS e información sobre la estación actualmente seleccionada.

STATION DATA (datos de estación) visualiza el nombre, frecuencia y demás información de la estación que se suministra en el servicio RDS o que el usuario entra en la memoria.

Sección APR

RF MODE (MODO RF) Su NAD 414RDS selecciona automáticamente el Modo RF que funcione mejor con la señal que se reciba. Se selecciona DX para señales de fuerza normal y se selecciona LOCAL cuando se sintoniza con estaciones de señales de radio muy fuertes que podrían causar distorsión.

STEREO MODO (MODO ESTEREO) El sintonizador se pone automáticamente en estéreo cuando se recibe una estación estéreo (AUTO) o está siempre en Mono (MONO). Indica si el sintonizador está en Modo FM Mute/Auto (ON) o Modo FM Mute Off/Mono (OFF).

SIGNAL STRENGTH (FUERZA DE SEÑAL) Visualiza la fuerza de la señal de radio recibida. Se indica la fuerza máxima de señal con cinco barras. Una o dos barras indican una fuerza de señal inadecuada que puede tender a sufrir interferencia y ruido.

FM MUTE (SILENCIAMIENTO DE FM) Indica si el Sintonizador está en Modo FM Moto/Auto (ON) o en Modo FM Mute Off/Mono (OFF).

>TUNED< Muestra que la estación está correctamente sintonizada.

STEREO Muestra que una estación de FM está transmitiendo en estéreo y el Sintonizador está funcionando en Modo Auto.

MEMORY Se enciende cuando se activa la función Memoria y se da entrada a estaciones o caracteres en la memoria.

RDS Indica que la estación seleccionada está transmitiendo información RDS.

BANK Muestra la actual Bancada de Memoria seleccionada.

PRESET NUMBER (NUMERO DE PREAJUSTE) Muestra el actual número de Preajuste de Memoria.

PARA ENCONTRAR Y MEMORIZAR ESTACIONES AM Y FM USANDO AUTOTUNE

Puede usted usar el modo Search (búsqueda) para buscar automáticamente estaciones, y luego usar el modo STORE (MEMORIA) para darles entrada en la memoria del NAD 414RDS.

Seleccione primero la banda AM o FM usando el pulsador AM o FM. Si desea buscar las principales estaciones disponibles en su área, el NAD 414RDS buscará sólo las señales fuertes (tres o más barras en el Visualizador de Fuerza de Señal) y se silenciarán todas las estaciones débiles pasando sobre ellas.

Si desea incluir todas las señales en la búsqueda, sea cual fuere su debilidad, ponga el FM Muting (silenciamiento de FM) en off pulsando el pulsador FM MUTE. En el Panel Visualizador se muestra FM Mute On/Off.

Ahora pulse AUTOTUNE y gire a la derecha el botón TUNE/PRESET para buscar hacia arriba la banda de frecuencia o hacia la izquierda para buscar hacia abajo la banda de frecuencia.

Cuando el sintonizador encuentra una señal de retransmisión de fuerza adecuada (que se muestra con tres barras por lo menos del medidor de fuerza de sintonización y el indicador encendido >TUNE<) la búsqueda automática se para en tal estación. Si la estación está transmitiendo información RDS, se enciende el indicador RDS y las iniciales y frecuencia de la estación se muestran en el Panel Visualizador. Si se encuentra una estación no RDS, se muestra sólo la frecuencia. Para memorizar la estación como un Preajuste, pulse el pulsador MEMORY. El indicador MEMORY y la sección Preset se muestran y centellean en el Panel Visualizador.

Pulse el pulsador BANK para seleccionar qué Bancada de Preajustes desea para memorizar la estación. Gire el botón TUNE/PRESET para seleccionar qué número de Preajuste desea asignar a la estación (se muestra como un número centelleante en el Panel Visualizador) y luego pulse otra vez MEMORY. La luz Memory del Panel Visualizador se apaga y ahora la estación está memorizada en la memoria de su NAD 414RDS.

Usted puede dar entrada a una nueva estación en un Preajuste no usado o sobrescribir un Preajuste de Memoria programado. Al hacer esto cambiará todos los datos previamente tenidos en el número de Preajuste.

Para salir del modo Memory sin memorizar una estación, deje todos los controles sin tocar; el modo Memory se cancela automáticamente transcurridos 8 segundos. Los Preajustes de Memoria se conservan en una memoria no volátil, por lo tanto permanecen memorizados, incluso si el Sintonizador se desconecta o desenchufa de la alimentación eléctrica de la red.

PARA SELECCIONAR UNA ESTACION DE PREAJUSTE

Para seleccionar una estación de Preajuste de Memoria, pulse el Pulsador PRESET y luego seleccione la Bancada de Preajustes que desea usar pulsando el pulsador BANK. Gire el botón TUNE/PRESET hasta que se halle el Preajuste correcto. que se muestra en el Panel Visualizador. Se pasarán los Preajustes no usados y no es posible seleccionar una Bancada que no tenga por lo menos un Preajuste memorizado en ella.

Si desea buscar automáticamente en toda la bancada para un programa adecuado, pulse SCAN. El NAD 414RDS explora todas las estaciones de Preajuste de la Bancada actual, escuchándolas cada una durante 6 segundos. Cuando se oye un programa adecuado, pulse otra vez SCAN para cancelar el modo de exploración.

PARA BORRAR UNA ESTACION MEMORIZADA

Usted puede vaciar un preajuste borrando la información memorizada. Primero seleccione el Preajuste de Memoria que ha de vaciarse y luego pulse el pulsador MEMORY, manténgalo apretado y luego pulse FM MUTE/MODE. Entonces se borra el Preajuste de Memoria y aparece '—' como número de Preajuste. Puede usted memorizar una nueva estación en un Preajuste usado, simplemente realizando el proceso de memorización de Preajuste y poniendo una nueva estación sobre la existente.

PARA ENCONTRAR Y MEMORIZAR ESTACIONES DE AM Y FM CON SINTONIZACION MANUAL

Además usted puede también sintonizar estaciones con TUNE y memorizarlas en la memoria del NAD 414RDS. Seleccione primero la banda AM o la banda FM usando el pulsador AM o FM. Seleccione FM Mute On (silenciamiento de FM conectado) u Off (desconectado) según se requiera.

Luego gire el botón TUNE/PRESET a la derecha para buscar hacia arriba la banda de frecuencia o a la izquierda para buscar hacia abajo la banda de frecuencia.

Cuando el sintonizador esté fijado apropiadamente en la estación se enciende el indicador >TUNE<. Si tiene dificultad en sintonizar entre dos estaciones de frecuencias adyacentes, ponga IF BAND0 en 'Narrow' (estrecha). Esto le facilitará a su NAD 414RDS quedar fijo en la estación requerida.

Si la estación está transmitiendo información RDS, se enciende el indicador RDS y las iniciales de la estación y la frecuencia se muestran en el Panel Visualizador. Si se encuentra una estación no RDS, se muestra sólo la frecuencia.

Memorice la estación en la memoria de la misma manera descrita en 'Para Encontrar y Memorizar Estaciones AM y FM Usando Autotune.'

PARA MEMORIZAR UN NOMBRE DE ESTACION

Si una estación está transmitiendo información RDS, su NAD 414RDS muestra automáticamente las iniciales y frecuencia de la estación cuando se usa su Preajuste. Aunque el Sintonizador muestra automáticamente la frecuencia de cualquier otra estación de Preajuste no RDS, le permite también a usted teclear el nombre de la estación para que sea más fácil identificar qué estación se memoriza en el Preajuste de Memoria.

Para dar entrada a un nombre, seleccione primero el Preajuste al que quiere unir un nombre. Luego pulse CHARACTER y se pone en intermitente el primer espacio del área Datos de Estación del Panel Visualizador. Gire el botón TUNE/PRESET para seleccionar el primer carácter (vea la lista de Caracteres para referencia). Pulsando MEMORY se memoriza el primer carácter y se pasa adelante al



siguiente espacio de la línea. Use otra vez el pulsador TUNE/PRESET para seleccionar el siguiente carácter del nombre y pulse MEMORY para memorizarlo. Continúe hasta que el nombre de la estación se haya completado (hasta 8 caracteres). Pulse otra vez CHARACTER para memorizar el nombre completo. Esta función sólo está disponible para las estaciones no RDS. Las estaciones RDS siempre muestran su nombre transmitido y este no se puede sobrescribir usando CHARACTER.

Existen 54 caracteres disponibles incluyendo un espacio en blanco.

USO DE RDS

Un número creciente de estaciones de radio de FM está transmitiendo servicios adicionales e información codificada digitalmente dentro de la señal normal de FM. Este Sistema de Datos de Radio (RDS) hace más fácil encontrar la estación correcta visualizando su nombre y frecuencia. Además puede visualizar el tipo de programación que está transmitiendo la estación, si transmite información de tráfico, y también puede visualizar información de texto adicional, como el título de una pista actual que se está escuchando.

Además RDS hace más fácil encontrar las otras estaciones que pueden interesar. El uso de la función SCAN le permite a usted buscar la versión de señal más fuerte de la estación que está escuchando, encontrar otras estaciones con tipos similares de programa o encontrar otras estaciones que den información de tráfico.

Existen seis Servicios de RDS y aunque su NAD 414RDS puede visualizar y usar todos éstos, no toda estación de radio transmite los seis completos. Algunas pueden transmitir únicamente Nombre e Identificación de Servicio de Programa.

Los seis Servicios RDS son:

- PS Nombre de Servicio de Programa
Muestra las iniciales de estación
- PTY Tipo de Programa
Muestra el tipo de programa que se transmite.

Puede usarse para buscar otros programas similares que transmitan otras estaciones.

- TP Programa de Tráfico
Muestra si la estación da información de tráfico.

Puede usarse para buscar otras estaciones que transmitan información de tráfico.

- AF Frecuencias Alternativas
Se usa para buscar otras frecuencias que aquella en que se está transmitiendo la estación actual.

- RT Texto de Radio
Visualiza información adicional sobre el programa actual tal como nombre del programa o el nombre de la pista actual que se escucha.

- CT Hora de Reloj
Cuando se recibe información CT de

retransmisión de una estación RDS, aparece en el visualizador un reloj antes de transcurrido 1 minuto a partir del momento en que se recibe la estación.

VISUALIZACION DE INFORMACION RDS

Quando se recibe una estación RDS, el indicador RDS se muestra en el Panel Visualizador y su NAD 414RDS usa los datos de Nombre de Servicio de Programa (PS) para visualizar las iniciales y frecuencia de la estación en la sección de Datos de Estación del Panel Visualizador. Usted puede ver la demás información RDS pulsando el pulsador DISPLAY (visualización).

Si se pulsa DISPLAY una vez el sintonizador se pone en Identificación de Programa y visualiza el nombre completo de la estación, su descripción y frecuencia.

Si no se transmite Identificación de Programa en lugar de esto se visualiza 'No Text' (no hay texto).

Si se pulsa otra vez DISPLAY se muestra la información de Texto de Radio, si se transmite.

Si no se transmite información de Texto de Radio, en lugar de esto se visualiza 'No Update' (no hay actualización de datos) o la hora actual.

Se tardan dos o tres segundos para que se transmita totalmente la información de Texto de Radio. Si la sección RDS del sintonizador está esperando para ser actualizada, entonces aparece en el Panel Visualizar 'WAIT' (espere).

Si se pulsa tres veces DISPLAY se visualiza la frecuencia a que está sintonizado su NAD 414RDS.

Para estaciones no RDS, el pulsador DISPLAY hace que se pase entre visualizar el nombre de estación a que ha dado entrada el usuario (si lo hay) y la frecuencia.

Estación RDS	Estación No RDS
Normal	
Iniciales de estación	Nombre de estación a que ha dado entrada el usuario
RDS (PS)	(o frecuencia si no se ha dado entrada al nombre)
pulse:	
DISPLAY x 1	
RT *	Frecuencia actual sintonizada
DISPLAY x 2	
CT *	-
DISPLAY x 3	
Frecuencia actual sintonizada	-

* Para información sobre Servicio de Datos de Radio (RDS), vea la lista de la sección "USO DE RDS".

USO DE RDS PARA BUSCAR ESTACIONES E INFORMACION

RDS ofrece una facilidad para buscar automáticamente otras estaciones que transmiten programación similar, o que dan información del tráfico o son transmisiones más fuertes de la misma estación en frecuencias alternativas.

Para usar RDS para buscar estaciones que transmitan tipos similares de programación, pulse una vez el Pulsador PTY TP AF. Se visualiza el tipo de programa de la estación actual durante dos segundos en la sección de Datos de Estación del Panel Visualizador (vea lista a continuación). Pulse SCAN mientras se visualiza esto y su NAD 414RDS buscará automáticamente otras estaciones RDS que transmitan el mismo tipo de programa. Cada estación coincidente se escucha durante seis segundos y su frecuencia centellea, luego Scan pasa a la siguiente estación que está transmitiendo el mismo tipo de programa. Pulse otra vez SCAN para parar el proceso de exploración en una estación particular.

Si desea buscar un tipo de programa particular pulse el Pulsador PTY TP AF una vez y luego use el botón TUNE/PRESET para elegir el tipo de programa. Pulse SCAN para encontrar cualesquiera programas coincidentes.

Para usar RDS en la búsqueda de estaciones que transmitan información de tráfico (usualmente después de los boletines de noticias) pulse el Pulsador PTY TP AF dos veces y pulse SCAN. Su NAD 414RDS buscará la primera estación RDS que incluya información de tráfico en sus retransmisiones. ‘ * TP ’ indica una estación RDS que incluye información de tráfico, ‘TP’ indica una estación RDS que no da información de tráfico o una estación no RDS.

Para usar RDS en la búsqueda de una señal más fuerte para la estación actual, pulse el Pulsador PTY TP AF tres veces y pulse SCAN. Su NAD 414RDS buscará la señal más fuerte para la estación actual.

Normalmente se usa esto en los sistemas de Dentro del Coche para cambiar automáticamente a la versión más fuerte de una estación de radio nacional cuando se está viajando. Pero se puede usar para comprobar que está usted sintonizado con la señal óptima para tal estación particular.

Opciones de Búsqueda de RDS

pulse PTY TP AF x 1

PTY Tipo de Programa

Se usa para buscar otros programas similares transmitidos por otras estaciones.

pulse PTY TP AF x 2

TP Programa de Tráfico

Se usa para buscar otras estaciones que transmitan información de tráfico.

pulse PTY TP AF x 3

AF Frecuencias Alternativas

Se usa para buscar otras frecuencias fuertes en que se transmite la estación actual.

Los Tipos de Programa se pueden dividir en las siguientes 15 categorías diferentes.

Tipos de Programa (PTY)

NONE	No se transmite información de tipo de programas
NEWS	Programa de noticias
AFFAIRS	Programa de asuntos de actualidad
INFO	Programa de información general
SPORT	Programa deportivo
EDUCATE	Programa educativo
DRAMA	Obras teatrales o programa dramático
CULTURE	Programa de cultura/debate
SCIENCE	Programa de ciencias
VARIED	Otro material de programa general
POP M	Programa de Música Popular
ROCK M	Programa de Música Rock
M.O.R. M	Programa musical de gusto general
LIGHT M	Programa de música ligera/clásica ligera
CLASSICS	Programa de música clásica
OTHER M	Otros tipos de música como Jazz, Folk, Country, Reggae, R&B etc.

Visualizador de la hora de reloj (CT)

Si la estación que está usted escuchando no es una estación RDS, esta función no puede usarse.

1. Pulse el pulsador DISPLAY y se visualiza información RT.

2. Pulse el pulsador DISPLAY otra vez.

Aparece un reloj en el visualizador antes de transcurrido un minuto después de recibirse una estación que transmita información CT.

Aparece en el visualizador NO UPDATE o NO TIME (no hay actualización o no hay hora) antes de transcurridos varios segundos después de recibirse una estación que no transmite información CT. Luego se visualiza información PS.



INVESTIGACION DE AVERIAS

SIN SONIDO

Conductor de CA no enchufado o alimentación eléctrica no conectada
 Conductores de señal incorrectamente conectados.
 Estación no seleccionada o señal débil con Silenciamiento de FM conectado.
 Fusible interno fundido.

Compruebe el conductor de CA.
 Compruebe las conexiones con el amplificador.
 Resintonice o desconecte el Silenciamiento de FM.
 Consulte al distribuidor.

SIN SONIDO EN UN CANAL.

Conductores de señal al amplificador desconectados o dañados

Compruebe los conductores y las conexiones.

RUIDO

Ruido sibilante - señal débil.

Compruebe medidor de fuerza de señal.
 Compruebe la sintonización de la estación. Ajuste o cambie la antena.

Distorsión - señales de paso múltiple o interferencia de otra estación.

Compruebe la sintonización de la estación. Ajuste o cambie la antena. Seleccione Ajuste de IF 'Narrow'.

Silbidos o zumbidos en FM & AM. Interferencia desde otras fuentes eléctricas - computadoras, consolas de juegos.

Compruebe la sintonización de la estación. Desconecte o traslade la fuente del ruido eléctrico.

Silbidos o zumbidos en AM: interferencia desde alumbrado fluorescente o motores eléctricos.

Compruebe la sintonización de la estación. Ajuste o cambie la antena de AM.

NO HAY INFORMACION RDS

Señal de estación demasiado débil.

Compruebe el medidor de fuerza de señal.
 Compruebe la sintonización de la estación. Ajuste o cambie la antena.

La estación no transmite RDS.

No hay remedio.

	A	B	C	D	E	F	G	H
I	J	K	L	M	N	O	P	Q
R	S	T	U	V	W	X	Y	Z
"	&	'	:	;	+	.	-	
!	=	?	@	#	\$	%	^	~
1	2	3	4	5	6	7	8	9

Existen 54 caracteres disponibles incluyendo un espacio en blanco.

SINTONIZZATORE STEREO AM/FM NAD 414 RDS



NOTE RELATIVE ALL'INSTALLAZIONE.

Il NAD 414RDS va collocato su una superficie piana e noncedevole. Evitare di collocare l'unità in posizioni assolate oppure vicino a fonti di calore o umidità; assicurarsi inoltre che l'apparecchiatura sia ben ventilata. E' fornito di cavi fono per il collegamento all'amplificatore. Assicurarsi che i cavi e i connettori non siano danneggiati ed accertarsi che tutti i connettori siano ben calzati. Se non si intende impiegare l'unità per un certo periodo di tempo, scollegare la spina dalla presa della C.A.

Se il NAD 414RDS venisse contaminato da acqua, spegnere l'alimentazione elettrica e scollegare la spina dalla presa della C.A. Fare controllare l'unità da un tecnico specializzato prima di cercare di accenderla.

Non staccare il coperchio: si fa notare che al suo interno non vi sono componenti riparabili dall'Utente.

Pulire l'unità impiegando un panno soffice ed asciutto. Se necessario, inumidire leggermente il panno con un po' di acqua e sapone. Non impiegare soluzioni a base di benzolo o altri prodotti volatili.

AVVIAMENTO RAPIDO

1. Impiegare il cavo fono-fono per collegare gli output sinistro e destro del NAD 414RDS all'input del sintonizzatore dell'amplificatore.

2. Allacciare il cavo di alimentazione C.A..

3. Collegare l'antenna AM ed FM.

4. Premere il pulsante "POWER" per accendere il NAD 414RDS.

5. Premere il pulsante AM oppure FM per selezionare l'ascolto AM od FM.

6. Per scegliere una stazione basta impiegare il comando TUNE/PRESET

CONNESSIONI AL PANNELLO POSTERIORE.

1. ANTENNA FM

L'unità è dotata anche di un'antenna a piattina per le stazioni a modulazione di frequenza (FM); questa va collegata al connettore FM sul retro dell'unità. (I modelli per Australia devono utilizzare l'adattatore "balun" per accoppiamento simmetrico/asimmetrico fornito con l'unità - vedere la figura 1).

L'antenna a piattina va montata su una superficie verticale, in modo che formi una "T".

Orientare l'antenna in varie posizioni per individuare quella migliore, ottenendo cioè il massimo segnale possibile con minimo rumore di fondo. Il misuratore dell'intensità del segnale nel pannello del display facilita l'impostazione dell'antenna nella posizione ottimale.

Un segnale FM non perfetto dà di solito sibilo molto forte, specie in ascolto stereo, nonché interferenze da fonti elettriche esterne. Se la ricezione FM è molto

scadente, è possibile peraltro migliorare le prestazioni del sintonizzatore impiegando un'antenna FM esterna. Interpellare a questo proposito un tecnico specializzato che provvederà ad installare l'antenna nel modo migliore possibile a seconda della zona.

2. ANTENNA AM

Il NAD 414RDS è fornito di un'antenna AM a filo aereo che serve per garantire la ricezione delle stazioni a modulazione d'ampiezza (A.M.). Per collegare l'antenna AM, premere in giù i tasti sui terminali Antenna. Infilare i cavi spelati dell'antenna nei due fori terminali e spingere i tasti dei connettori verso l'alto per fissare le connessioni.

Sperimentare l'orientamento dell'antenna assicurandosi sempre che il cerchio sia in verticale per garantire una buona ricezione. La ricezione può essere pregiudicata se l'antenna viene collocata accanto a componenti metallici, quali scaffali o termosifoni (vedere la Fig. 2)

3. OUTPUT

L'output audio analogico del 414. Impiegando i doppi cavifono-fono, allacciare gli output sinistro (bianco) e destro (rosso) all'input del sintonizzatore "Tuner" o altro input di livello, quale l'input "Aux" dell'amplificatore. Non collegare questo cavo ai jack input marcati "PHONO" dell'amplificatore.

4. "NAD LINK IN/OUT"

Il connettore NAD-Link viene impiegando per inviare comandi dalle altre unità dotate di connettori NAD-Link. Ciò permette il controllo centralizzato dell'intero sistema, nonché il controllo di alcune delle funzioni basilari del NAD 414RDS impiegando il telecomando dell'amplificatore collegato con il sistema NAD o, addirittura, il controllo completo del sistema da più di un ambiente. Per assicurare un funzionamento perfetto con le altre unità, collegare il "NAD-Link OUT" del sintonizzatore al "NAD-Link IN" sull'altra unità. I connettore "NAD-Link" possono essere concatenati - "IN" ad "OUT" - pertanto è possibile comandare un intero sistema tramite i telecomandi di un'unità.

5. CAVO D'ALIMENTAZIONE C.A..

Collegare questo cavo alla presa a muro C.A.

Collegare il cavo della C.A. alla presa a muro C.A. in tensione o ad una presa idonea sempre C.A. sul retro dell'amplificatore.

COMANDI DEL QUADRO ANTERIORE.

1. "POWER ON/OFF" (ACCESO/SPENTO).

"POWER" serve per accendere e spegnere il riproduttore. Premendo l'interruttore si accende il sintonizzatore e si ha pertanto l'accensione del Quadro del Display. Premendo nuovamente il pulsante "POWER" si spegne il riproduttore.



Quando è spento non vi è alimentazione ai gruppi elettronici del NAD 414RDS, ma tutte le impostazioni prescelte della memoria rimangono memorizzate.

ATTENZIONE: L'alimentazione non si spegne completamente quando si spegne il pulsante "POWER". Se il NAD 414RDS non viene impiegato per parecchio tempo, raccomandiamo allora di staccarlo dalla rete C.A.

2. BANDA IF

Premendo il pulsante "IF BAND" (banda frequenza intermedia) si seleziona il funzionamento a banda IF larga oppure stretta, come evidenziato dal LED accanto al pulsante. L'impostazione normale è su banda larga "WIDE", idonea per la maggior parte delle condizioni di ricezione. Se però due stazioni radio funzionano su frequenze molto ravvicinate, selezionando allora la banda stretta "NARROW" si possono eliminare interferenze e disturbi dalla stazione che non si desidera ascoltare.

3. CARATTERE ("CHARACTER")

Il pulsante "CHARACTER" viene impiegato per iscrivere i nomi delle stazioni preimpostate in modo da visualizzarle all'atto della sintonizzazione. Viene impiegato unitamente alla manopola di sintonizzazione/preselezione "TUNE/PRESET" (11) e ai pulsanti "MEMORY" (8).

4. DISPLAY

Premendo il pulsante "DISPLAY" si ottiene la commutazione tra le impostazioni optional del display delle stazioni nel quadro del display.

Opzioni

Stazione RDS	Stazione non RDS
NORMALE	
PS*	Nome della stazione iscritto dall'ascoltatore

Premendo:

DISPLAY X1	
RT*	Frequenza della stazione
DISPLAY X2	
CT*	-
DISPLAY X3	
Frequenza	-

* Per informazioni in merito al sistema informativo autoradio(RDS) fare riferimento all'elenco riportato nella sezione intitolata "COME IMPIEGARE L'RDS".

5. PTY TP AF

Premendo PTY TP AF è possibile ricercare altre stazioni impiegando le proprietà Tipo Programma RDS, Informazioni Traffico e Frequenze alternative: si impiega unitamente al pulsante di scansione "SCAN" (6). Le informazioni vengono visualizzate per tre secondi; trascorso detto periodo, il display visualizza le iniziali e la frequenza della stazione.

Informazioni del pannello del display

Stazione RDS Stazione non RDS

Funzionamento normale
Iniziali e frequenza della stazione Frequenza della stazione

Premendo PTY TP AF
PTY Tipo di Programma "NON RDS"

Premendo PTY TP AF
Informazioni traffico TP "TP"

Premendo PTY TP AF
Frequenza alternate AF "NON RDS"

6. SCANSIONE

Premendo "SCAN", il NAD 414RDS esplora tutte le stazioni preimpostate per controllare automaticamente ciascuna delle stazioni preimpostate in una particolare Memoria. Ogni stazione viene ascoltata per sei secondi: Scan passa quindi alla stazione preimpostata successiva.

Quando si riceve una stazione OK, premere nuovamente "SCAN" per annullare il processo di esplorazione. "SCAN" viene impiegato inoltre insieme al pulsante PTY TP AF (5) del NAD-414 per reperire la versione della stazione con il segnale più forte, nonché stazioni con programmazione simile, oppure stazione che trasmettono informazioni sul traffico, quali parte della trasmissione normale.

7. LINEA "BANK"

Premendo "BANK" si ottiene la commutazione tra le tre linee della memoria preimpostata (A, B oppure C). Queste Linee possono contenere un assortimento massimo di dieci stazioni AM ed FM. La Linea selezionata è riportata sul quadro del display.

8. MEMORIA

Serve per memorizzare le stazioni nelle tre linee di preimpostazione della memoria oppure per memorizzare le sigle stabilite dall'ascoltatore per le stazioni preselezionate non RDS. Da impiegarsi unitamente al pulsante "PRESET" (12) e alla manopola "TUNE/PRESET" (11). Quando la Memoria è attiva, il numero di preimpostazione lampeggia, accompagnato dall'indicatore rosso "Memory" sul quadro del display.

9. "FM MUTE/MODE" (MODO/SILENZIO FM)

Se si sta ricevendo un buon segnale stereo FM, il NAD 414RDS passa automaticamente al funzionamento Stereo FM, che è evidenziato dall'indicatore STEREO sul quadro del display, e il sintonizzatore viene tacitato durante la ricerca tra una stazione e l'altra.

Segnali stereo molto deboli possono però dare forti livelli di sibilo di fondo. Passando al Modo Mono con il pulsante "FM MUTE/MODE" si cancella quasi tutto il rumore di sfondo o la maggior parte dei disturbi. Premere nuovamente l'interruttore "FM MUTE/MODE" per ritornare al funzionamento automatico Stereo FM. La condizione acceso/spento di

FM Mute viene riportata sul quadro del display; il modo Auto/Mono è visualizzato nella sezione APR del quadro del display.

10. AUTOSINTONIZZAZIONE "AUTOTUNE"

Premendo il pulsante "AUTOTUNE", il NAD 414RDS passa nel modo di sintonizzazione automatica. Ruotando la manopola "TUNE/PRESET" (11) in senso orario oppure antiorario si ottiene la ricerca delle radiofrequenze, con esplorazione in su oppure in giù, per permettere al sintonizzatore di individuare un segnale abbastanza forte (tre o più linee sul misuratore dell'intensità di sintonizzazione).

11. SINTONIZZAZIONE/PRESELEZIONE "TUNE/PRESET"

La manopola "TUNE/PRESET" serve per sintonizzarsi manualmente od automaticamente su una stazione, selezionare una stazione preselezionata oppure programmare sigle delle stazioni nel NAD 414RDS.

12. PRESET

Premendo "PRESET" è possibile selezionare qualsiasi stazione iscritta nelle linee della memoria preimpostata. Selezionare la Linea nella quale si è memorizzata la stazione impiegando il pulsante "BANK" (7), quindi girare la manopola "TUNE/PRESET" per selezionare la stazione preimpostata richiesta. Il numero della preselezione e la sigla della stazione o la sua frequenza vengono evidenziati sul quadro del display.

13. FM

Il pulsante FM imposta il sintonizzatore per la ricezione FM. Il quadro del display riporta la frequenza della stazione sintonizzata e quale gamma è stata scelta. La sintonizzazione FM è in scarti di 0,025 MHz.

14. AM

Il pulsante AM imposta la sintonizzazione per la ricezione AM. Il quadro del display riporta la frequenza della stazione sintonizzata e quale gamma è stata scelta. La sintonizzazione AM è in scarti di 9 KHz.

I pulsanti "IF BAND", "FM MUTE/MODE", "DISPLAY", "PTY TP AF" non funzionano con le stazioni AM.

15. PANNELLO DEL DISPLAY

Il quadro del display riporta informazioni in merito ai modi di funzionamento del NAD 414RDS e informazioni relative alla stazione scelta.

"STATION DATA" riporta la sigla della stazione, la frequenza e le altre informazioni fornite dal servizio RDS oppure iscritte manualmente dall'ascoltatore.

Sezione APR

"RF MODE". Il NAD 414RDS seleziona automaticamente il Modo RF più perfetto in conformità al segnale che viene captato. DX serve per segnali di

intensità normale; "LOCAL" serve per quando si è sintonizzati su stazioni con segnale radio molto forte che può causare distorsione.

"STEREO MODE" il sintonizzatore passa automaticamente alla riproduzione in stereo quando capta una stazione stereo (AUTO) oppure è sempre in Mono (MONO). Indica se il sintonizzatore si trova nel modo "FM Mute/Auto Mode" (ACCESO) oppure nel modo "FM Mute Off/Mono Mode" (SPENTO).

"SIGNAL STRENGTH" riporta l'intensità del segnale radio captato. Cinque linee indicano l'intensità massima del segnale. Una o due linee indicano intensità di segnale insufficiente, che può causare interferenze e disturbi vari.

"FM MUTE" indica se il sintonizzatore è nel modo "FM Mute/Auto Mode" (ACCESO) oppure nel modo "FM Mute Off/Mono Mode" (SPENTO).

>"TUNED"< Indica che la stazione è sintonizzata correttamente.

"STEREO" indica che una stazione FM sta trasmettendo in stereo e il sintonizzatore funziona nel modo "Auto Mode".

"MEMORY" si accende quando la funzione della memoria è attiva e si iscrivono stazioni o lettere nella memoria.

"RDS" indica che la stazione selezionata trasmette informazioni RDS.

"BANK" visualizza la linea di memoria selezionata.

"PRESET NUMBER" visualizza il numero della preselezione della memoria.

RICERCA E MEMORIZZAZIONE DELLE STAZIONI AM & FM IMPIEGANDO L'AUTOSINTONIZZATORE "AUTOTUNE".

Potete impiegare il modo "SEARCH" per evidenziare automaticamente le stazioni e poi utilizzare il modo "STORE" per iscrivere nella memoria del NAD 414RDS.

Selezionare per prima cosa la banda AM oppure FM impiegando il pulsante AM oppure FM. Se si desidera ricercare le stazioni principali disponibili in una zona particolare, il NAD 414RDS ricercherà allora solo i segnali più intensi (tre o più linee sul display dell'intensità del segnale): tutte le stazioni deboli vengono tacitate ed escluse. Se si desidera includere tutti i segnali nella ricerca (anche quelli debolissimi), spegnere la tacitazione FM premendo il pulsante "FM MUTE". Il quadro del display riporta "FM Mute On/Off".

Premere quindi "AUTOTUNE" e girare la manopola "TUNE/PRESET" in senso orario per esplorare la banda di frequenza in su, oppure girare la manopola in senso antiorario per l'esplorazione in giù.

Quando il sintonizzatore individua un segnale di intensità adeguata (confermato da almeno tre linee sul misuratore dell'intensità di sintonizzazione e dall'accensione dell'indicatore >SINTONIZZAZIONE "TUNE"<), la ricerca automatica cessa su quella stazione. Se la stazione sta trasmettendo informazioni RDS, l'indicatore RDS si accende la sigla e la frequenza della stazione vengono visualizzate sul quadro del display. Se si capta una stazione non



RDS, allora solo la frequenza viene visualizzata.

Per registrare tale stazione quale Preselezione, premere "MEMORY". L'indicatore "Memory" verrà visualizzato e la sezione di preselezione "Preset" lampeggerà sul quadro del display.

Premere "BANK" per selezionare in quale delle tre Linee di Preselezione si vuole memorizzare la stazione. Girare la manopola "TUNE/PRESET" per scegliere quale Numero di Preselezione si desidera iscrivere per la stazione (evidenziato quale numero lampeggiante sul quadro del pannello), quindi premere nuovamente "MEMORY". La spia "Memory" sul quadro del display si spegne: la stazione è pertanto memorizzata nella memoria del Vs. NAD 414RDS.

Si può iscrivere una nuova stazione in una preselezione non utilizzata oppure scrivere su una preselezione della memoria già esistente. Intervendo in questo modo si sostituiscono tutti i dati registrati in precedenza per quel numero di preselezione.

Per uscire dal modo di Memoria senza memorizzare una stazione, non toccare alcun comando; il modo di Memoria si autocancella dopo otto secondi. Le Preselezioni della Memoria sono registrate in una memoria non volatile, pertanto rimangono memorizzate anche se il sintonizzatore viene spento o staccato dalla rete.

COME SELEZIONARE UNA STAZIONE PREIMPOSTATA.

Per selezionare una stazione preimpostata nella memoria, premere il pulsante "PRESET" e poi selezionare quale Linea di Preselezioni si desidera utilizzare premendo il pulsante "BANK". Ruotare la manopola "TUNE/PRESET" finché non si individua la preselezione corretta visualizzata sul quadro del display. Tutte le preselezioni non utilizzate vengono saltate; non è possibile selezionare una Linea se non ha come minimo una Preselezione già memorizzata.

Se si desidera ricercare l'intera Linea per individuare un programma, premere "SCAN". Il NAD 414RDS esplorerà così tutte le stazioni preimpostate nella Linea, procedendo all'ascolto di ognuna di queste per sei secondi. Quando si capta il programma richiesto, premere un'altra volta "SCAN" per cancellare il modo di scansione.

COME CANCELLARE UNA STAZIONE MEMORIZZATA.

Una preimpostazione può essere liberata cancellando le informazioni memorizzate. Selezionare in primo luogo la Preselezione della memoria che si intende annullare, quindi premere il pulsante "MEMORY"; tenerlo premuto e poi premere "FM MUTE/MODE". La Preselezione della memoria sarà così cancellata: il Numero di Preselezione sarà indicato dal simbolo "—". E' possibile memorizzare una nuova stazione in una Preselezione usata: basta ripetere il processo di memorizzazione della Preselezione ed impostare una nuova stazione su quella originale.

RICERCA E MEMORIZZAZIONE DELLE STAZIONI AM & FM IMPIEGANDO LA SINTONIZZAZIONE MANUALE.

Si può anche SINTONIZZARE manualmente più stazioni ed ISCRIVERLE nella memoria del NAD 414RDS.

Selezionare per prima cosa la gamma AM oppure FM impiegando il pulsante AM oppure FM. Selezionare "FM Mute On" oppure "Off" a seconda del caso.

Girare quindi la manopola "TUNE/PRESET" in senso orario per ricercare la banda di frequenza in su oppure in senso antiorario per ricercare in giù.

Quando il sintonizzatore è sintonizzato correttamente su una stazione, l'indicatore >SINTONIZZAZIONE "TUNE" < si accende. Se si riscontrano difficoltà nel sintonizzarsi tra due stazioni su frequenze molto vicine, portare "IF BAND0" su "Narrow". In questo modo sarà più facile per il NAD 414RDS "bloccarsi" correttamente sulla stazione richiesta.

Se la stazione sta trasmettendo informazioni RDS, l'indicatore RDS si accende la sigla e la frequenza della stazione vengono visualizzate sul quadro del display. Se si capta una stazione non RDS, allora solo la frequenza viene visualizzata.

Iscrivere la stazione nella memoria come detto alla voce "Come individuare e memorizzare stazioni AM ed FM con l'Autotune"

COME MEMORIZZARE LA SIGLA DI UNA STAZIONE.

Quando una stazione sta trasmettendo informazioni RDS, il NAD 414RDS visualizza automaticamente la sigla della stazione e la frequenza quando si impiega il relativo "Preset". Sebbene il sintonizzatore visualizzi automaticamente la frequenza di tutte le altre stazioni preimpostate non RDS è possibile digitare la sigla della stazione per rendere più facile identificare quale stazione è iscritta nella Preselezione della memoria.

Per iscrivere una sigla, selezionare prima di tutto la Preimpostazione alla quale si desidera abbinarla. Premere quindi "CHARACTER": il primo spazio libero nel settore "Station Data" sul quadro del display lampeggerà. Girare la manopola "TUNE/PRESET" per selezionare la prima lettera (vedere la voce "Elenco delle Lettere"). Premendo "MEMORY" si memorizza la prima lettera e si passa automaticamente allo spazio libero successivo. Impiegare nuovamente la manopola "TUNE/PRESET" per selezionare la lettera successiva della sigla, quindi premere "MEMORY" per memorizzarla. proseguire finché il nome della stazione non è completo (fino ad otto lettere). Premere nuovamente "CHARACTER" per memorizzare l'intera sigla.

Questa funzione è disponibile solo per le stazioni non RDS. Le stazioni RDS visualizzano sempre la sigla trasmessa che non può essere cancellata impiegando "CHARACTER".

Vi sono in tutto 54 lettere o caratteri, compreso uno spazio in bianco.

COME IMPIEGARE L'RDS.

Un numero sempre maggiore di radiostazioni FM trasmette servizi ed informazioni supplementari, codificati sotto forma digitale nel segnale FM convenzionale. Questo sistema informativo autoradio (RDS) rende piú facile reperire la stazione corretta, poiché la sua sigla e la sua frequenza sono visualizzate chiaramente. Può inoltre visualizzare il tipo di programma che la stazione sta trasmettendo (se o meno trasmette informazioni relative al traffico) e può visualizzare anche informazioni supplementari sotto forma di testo, quali ad esempio il titolo della pista in ascolto.

L'RDS rende inoltre piú facile l'individuazione di altre stazioni che possono interessare l'ascoltatore. L'impiego della funzione "SCAN" permette di ricercare il segnale piú forte della stazione in ascolto, nonché reperire altre stazioni con programma simile oppure individuare altre stazioni che trasmettono informazioni sul traffico.

In tutto vi sono sei Servizi RDS; sebbene il NAD 414RDS sia in grado di visualizzarle ed impiegarle tutte, non tutte le stazioni trasmettono i sei servizi separati. Alcune trasmettono solo il Nome di Servizio del Programma e l'Identificazione.

I sei servizi RDS sono:-

PS Nome di Servizio del Programma

Riporta la sigla della stazione

PTY Tipo di programma

Riporta il tipo di programma che viene trasmesso.

Può essere impiegato per altri programmi simili che vengono trasmessi da altre stazioni

TP Programma per il Traffico

Riporta se o meno la stazione dà informazioni sul traffico. Può essere impiegato per cercare altre stazioni che trasmettono informazioni sul traffico.

AF Frequenze alternate

Impiegate per cercare altre frequenze, differenti dalla stazione in ascolto.

RT Testo dell'autoradio

Visualizza informazioni supplementari in merito al programma attuale, quali il nome del programma o il nome della pista in ascolto.

CT Ore indicate dall'orologio

Quando si ascolta una stazione RDS che trasmette informazioni CT, l'orologio compare sul display entro un minuto dalla sintonizzazione su tale stazione.

VISUALIZZAZIONE DELLE INFORMAZIONI RDS.

Ricevendo una stazione RDS, la spia dell'RDS è accesa sul quadro del display; il NAD 414RDS impiega il Nome di Servizio del Programma (PS) visualizzando così la sigla della stazione e la frequenza nella sezione "Dati relativi alla Stazione" del quadro del display.

Premendo il pulsante "DISPLAY" si possono visualizzare le altre informazioni RDS.

Premendo "DISPLAY" una volta si passa all'Identificazione del Programma; si ottiene così il nome completo della stazione, la descrizione e la frequenza.

Se l'Identificazione del Programma non viene trasmessa si ottiene allora la visualizzazione "No Text" (niente testo).

Premendo un'altra volta "DISPLAY" si ottengono informazioni Testo Radio, se in trasmissione. Se non viene trasmessa alcuna informazione Testo Radio, viene visualizzato allora il messaggio "No Update" (nessun aggiornamento) oppure le ore.

Le informazioni Testo Radio richiedono due o tre secondi per la trasmissione completa. Se la sezione RDS del sintonizzatore attende l'aggiornamento, la scritta "WAIT" compare sul quadro del display.

Premendo tre volte "DISPLAY" si visualizza la frequenza sulla quale il NAD 414RDS è sintonizzato.

Nel caso della stazioni non RDS, il pulsante "DISPLAY" viene commutato per visualizzare il nome/sigla (se esiste) della stazione come prescelto dall'ascoltatore e la frequenza.

Stazione RDS Stazione non RDS

NORMALE Sigla della stazione RDS (PS)
Nome della stazione iscritto
dall'ascoltatore (oppure frequenza
se non si è iscritta alcuna sigla)

premere:

DISPLAY x 1

RT* Frequenza sulla quale si è
sintonizzati

DISPLAY x 2

CT* -

DISPLAY x 3 Frequenza sulla quale si è
sintonizzati -

* Per informazioni in merito al sistema informativo autoradio (RDS) fare riferimento all'elenco riportato nella sezione intitolata "COME IMPIEGARE L'RDS".

COME IMPIEGARE L'RDS PER RICERCARE STAZIONI ED INFORMAZIONI.

L'RDS permette di ricercare automaticamente altre stazioni che trasmettono programmi simili o che hanno il servizio di informazione sul traffico oppure trasmissioni piú forti della stessa stazione su altre frequenze.

Per impiegare l'RDS per cercare stazioni che trasmettono programmi simili, premere una volta il pulsante "PTY TP AF". Il tipo di programma della stazione in ascolto viene così visualizzato per due secondi nella sezione Dati relativi alla Stazione del quadro del display (vedere l'elenco qui sotto). Premere "SCAN" quando questi dati sono visualizzati: il NAD 414RDS ricercherà automaticamente le altre stazioni RDS che trasmettono lo stesso tipo di programma. Ciascuna stazione di pari tenore viene ascoltata per sei secondi; la frequenza della stazione lampeggia, quindi la funzione di esplorazione passa alla stazione successiva che trasmette lo stesso tipo



di programma. Premere nuovamente "SCAN" per arrestare l'esplorazione su una particolare stazione.

Se si desidera cercare un tipo particolare di programma, premere una volta il pulsante PTY TP AF e poi impiegare la manopola "TUNE/PRESET" per scegliere il tipo di programma. Premere "SCAN" per individuare qualsiasi programma simile.

Per utilizzare l'RDS al fine di individuare stazioni che trasmettono informazioni sul traffico (di solito dopo il "giornale radio"), premere due volte il pulsante PTY TP AF e poi premere "SCAN". Il NAD 414RDS cercherà così la prima stazione RDS che incorpora informazioni sul traffico. "**TP*" indica una stazione RDS che comprende informazioni sul traffico; "TP" indica una stazione RDS che non trasmette informazioni sul traffico, oppure una stazione non RDS.

Per permettere all'RDS si ricercare una sintonizzazione con segnale più forte della stazione in ascolto, premere tre volte il pulsante PTY TP AF e poi premere "SCAN". Il NAD 414RDS cercherà il segnale più forte per la stazione in ascolto.

Il suo impiego è evidenziato dai sistemi accessori autoradio e riproduzione sonora in vettura per passare automaticamente alla versione più forte di una radiostazione nazionale durante il viaggio. Ma è possibile ricorrere al suo impiego per assicurarsi di essersi sincronizzati sul segnale ottimale per la stazione prescelta.

Metodi facoltativi di ricerca con l'RDS

premere PTY TP AF x 1

PTY Tipo di Programma

Impiegato per cercare programmi simili trasmessi da altre stazioni.

premere PTY TP AF x 2

TP Programma sul Traffico Impiegato per cercare altre stazioni che trasmettono informazioni sul traffico.

premere PTY TP AF x 3

AF Frequenze alternate Impiegato per cercare altre frequenze forti rispetto alla stazione in ascolto.

I tipi di programma rientrano in una qualsiasi delle quindici categorie che seguono.

Tipo di programma (PTY)

NESSUNO	Non viene trasmessa alcuna informazione relativo al tipo di programma
NEWS	Programma giornale radio
AFFAIRS	Programma di attualità
INFO	Programma informazioni generali
SPORT	Programma sportivo
"EDUCATE"	Programma educativo
"DRAMA"	Programma drammi e commedie
"CULTURE"	Programmi culturali/discussioni
"SCIENCE"	Programma scientifico
"VARIED"	Altri programmi di interesse generale
"POP M"	Programma di musica "pop"
"ROCK M"	Programma di musica "rock"
"M.O.R. M"	Programmi musicali "per tutti"
"LIGHT M"	Programmi musica leggera/classica

"CLASSICS"
"OTHER M"

Programmi di musica classica
Altri tipi di musica, quali jazz, Folk, Country, Reggae, R&B ecc.

Visualizzazione delle ore (CT)

Se la stazione che si desidera ascoltare non è una stazione RDS non è possibile allora impiegare questa funzione.

1. Premere il pulsante "DISPLAY": si otterrà la visualizzazione delle informazioni RT.

2. Premere un'altra volta il pulsante "DISPLAY".

Il display riporta le ore entro un minuto dalla ricezione di una stazione che trasmette informazioni CT.

"NO UPDATE" oppure "NO TIME" compaiono sul display entro pochi secondi da quando ci si è sintonizzati su una stazione che non trasmette informazioni CT. Verranno quindi visualizzate le informazione PS.



RICERCA GUASTI

NON VI È SUONO

Cavo alimentazione C.A. scollegato, oppure non vi è tensione.

Cavi di segnale collegati in modo errato.

Stazione non selezionata oppure segnale debole con "FM Mute" inserito.

Fusibile interno saltato.

Controllare il cavo della C.A.

Controllare le connessioni all'amplificatore.
Risintonizzare o spegnere "FM Mute".

Interpellare il Concessionario.

NON SI HA SUONO DA UN CANALE

Cavi di segnali all'amplificatore: scollegati o danneggiati.

Controllare i cavi e le connessioni.

RUMOROSITÀ

Sibilo. Segnale debole.

Controllare il misuratore dell'intensità di ricezione del segnale. Controllare la sintonizzazione.
Regolare o sostituire l'antenna.

Distorsione. Segnali diversificati oppure interferenza da un'altra stazione.

Controllare la sintonizzazione. Regolare o sostituire l'antenna. Selezionare l'impostazione IF "Narrow".

C l'antenna.

Fischi o ronzii in FM & AM. Interferenze e disturbi vari da sorgenti elettriche - computer, console giochi..

Controllare la sintonizzazione. Spegnere o spostare la sorgente delle interferenze elettriche.
Controllare la sintonizzazione. Regolare o sostituire l'antenna AM.

Fischi o ronzii in AM: Interferenze da luci al neon motorini elettrici.

NON SI HANNO INFORMAZIONI RDS

Segnale della stazione troppo debole.

Controllare il misuratore dell'intensità di ricezione del segnale. Controllare la sintonizzazione.
Regolare o sostituire l'antenna.

La stazione non trasmette RDS.

Non rimediabile.

	A	B	C	D	E	F	G	H
I	J	K	L	M	N	O	P	Q
R	S	T	U	V	W	X	Y	Z
"	&	'	:	:	+	.	-	
.	!	=	?	C	:	3	1	0
1	2	3	4	5	6	7	8	9

Vi sono in tutto 54 lettere o caratteri, compreso uno spazio in bianco.



NAD 414RDS RADIODEL

INSTRUKTION FÖR INSTALLATION OCH ANVÄNDANDE.

TÄNK PÅ FÖLJANDE VID INKOPPLING.

NAD 414RDS bör placeras på en jämn stabil yta. Undvik att placera apparaten så att den utsätts för direkt solljus, står nära värmekällor eller utsätts för fukt. Undvik att placera NAD 414RDS i närheten av kraftiga magnetfält som alstras av t.ex. förstärkare, högtalare och TV-apparater.

NAD 414RDS levereras med signalkablar av standardkvalitet. För att få ut det mesta ur apparaten bör kablar av högre kvalitet övervägas, konsultera Hi-Fi Klubben angående val av bättre signalkablar.

VARNING: Om det skulle komma vatten i apparaten så måste strömmen brytas omedelbart genom att nätsladden kopplas ur vägguttaget. Innan apparaten får tas i bruk igen bör den gås igenom av Hi-Fi Klubbens verkstad. Avlägsna inte locket på apparaten själv, det finns inga delar i apparaten som du som kund kan åtgärda.

SNABBINSTRUKTION

1. Koppla in NAD 414RDS med den medföljande signalkabeln. Anslut apparatens båda utgångar till ingången på din förstärkare för radio (TUNER).
2. Anslut nätsladden till ett fungerande vägguttag.
3. Koppla in AM och FM antennerna.
4. Tryck på POWER för att sätta på apparaten.
5. Tryck på AM eller FM knappen för att välja vilken mottagning.
6. Använd TUNE / PRESET för att välja radiostation.

ANSLUTNINGAR PÅ APPARATENS BAKSIDA

1. FM ANTENN INGÅNG.

Antenningången för FM mottagning är avsedd för 75 ohms koaxialkabel. Om du skulle vilja ansluta en trådentenn med en impedans på 300 ohm måste du använda den medföljande adaptorn.(se fig. 1)

För att använda NAD 414RDS måste man ansluta en antenn. Den trådentenn och adaptor som följer med är bara för att radion skall kunna användas direkt. För bästa mottagning bör en bättre antenn eller en centralantenn anslutas. Trådentennen är formad som ett T. T:ets vertikala del ansluts via adaptorn till NAD 414RDS. Antennen skall sättas upp som ett T på t.ex. en vägg, orienterad så att signalen blir så stark som möjligt.

2. AM ANTENN TERMINAL.

För att ta emot AM signaler måste en yttre AM antenn anslutas.

För mottagning av lokala AM stationer räcker det med en så kallad Loopantenn (följer med). Anslut den ändarna till AM terminalen, lås fast den genom att

vika ner låsblecken. Prova med att rikta antennen åt olika håll för bästa mottagning. Tänk på att Loopen alltid skall placeras vertikalt.

Försök att hålla undan antennen från stora metalltytor då de skärmar av mottagningen.(se fig. 2)

3. SIGNAL UTGÅNG.

Anslut den medföljande signalkabeln till höger och vänster utgångar på radiodelen och till Tuneringången på din förstärkare.

4. NAD LINK IN/UT

NAD LINK IN kontakten låter radiodelen styras med signaler från någon annan produkt med NAD LINK fjärrkontroll system. Anslut en kabel från huvudentens LINK OUT till LINK IN på NAD 414RDS. LINK OUT kontakten möjliggör för fjärrkontrollkommandon att slussas vidare till flera apparater med NAD LINK. På så sätt kan flera olika produkter kopplas ihop t.ex. CD-spelare, kassettdäck och denna radiodelen till en systemfjärrkontroll. Anslut en kabel från LINK OUT på 414 till LINK IN på nästa produkt.

5. NÄTSLADD.

För anslutning till vägguttag. Om apparaten inte skall användas under en längre tid bör nätsladden kopplas ur vägguttaget.

KONTROLLER PÅ APPARATENS FRAMSIDA.

1. POWER. (Av/Påslag.)

Med den gröna strömbrytaren sätter du på eller stänger av radiodelen. Om apparaten inte skall användas en längre tid bör nätsladden tas ur vägguttaget. När apparaten är avslagen lagras alla inställningar i ett minne.

2. IF BAND.

Genom att trycka på IF BAND ändrar man radions selektivitet. I praktiken innebär det att radion söker av ett smalare område vilket minskar störningar från intilliggande stationer. De två olika lägena för IF BAND är WIDE och NARROW, där wide är normalläge och narrow söker av ett smalare område.

3. CHARACTER.

Character knappen används för att lägga in namn på snabbvalsstationerna. Används tillsammans med TUNE/PRESET ratten (11) och MEMORY (8) knappen.

4.DISPLAY.

Genom att trycka på Display knappen skiftar man mellan stationernas olika alternativ för visning i displayen.

Alternativ

RDS-station Station utan RDS

Normal

PS* Namn efter eget val.

Ett tryck

RT* Stationens frekvens

Andra trycket

CT* Stationens frekvens

Tredje trycket

Stationens frekvens Stationens frekvens

* För mer information om RDS se stycket om "Hur du använder RDS".

5. PTY TP AF

Om man trycker PTY TP AF kan man söka efter andra stationer med RDS funktionerna Program Typ, Trafik Information och Alternativ Frekvens och används tillsammans med SCAN knappen (6). Informationen visas i tre sekunder varefter displayen åter visar stationens initialer och frekvens.

Displayens information

RDS-station Station utan RDS**Normal**Stationens initialer Stationens frekvens
& frekvens**Ett tryck**

PTY Program Typ "NOT RDS"

Andra trycket

TP Trafik Information "TP"

Tredje trycket

AF Alternativ Frekvens "NOT RDS"

6. SCAN.

Genom att trycka på SCAN får du NAD 414RDS att söka igenom varje snabbval för att automatiskt lagra information om stationen i en speciell minnesbank. Varje station hörs i sex sekunder. När en lämplig station hörs, tryck på SCAN en gång till för att avbryta processen. SCAN används också i kombination med PTY TP AF knappen (6) för att hitta den starkaste sändaren av en viss station, stationer med samma programmering eller stationer som sänder trafik information .

7. BANK.

Trycker man på bank skiftar man mellan de tre bankerna med snabbval (A,B eller C). Var och en av dessa banker kan innehålla en blandning av upp till tio AM och FM stationer. Den valda banken visas i displayen.

8. MEMORY.

Används för att lagra stationerna i de tre minnesbankerna eller för att lagra användardefinierade namn på snabbval med stationer som inte sänder

RDS-information. Används tillsammans med PRE-SET knappen (12) och TUNE/PRESET ratten (11). När minnet används blinkar snabbvalsnumret i och den röda MEMORY indikatorn visas i displayen.

9. FM MUTE / MODE.

När man tar emot en stark FM station slår NAD 414RDS alltid om till Stereo FM mottagning, vilket visas av stereoidikatorn i displayen. Radion är då tyst under sökning tills man finner en tillräckligt stark station. Vid nottagning av svaga stereosignaler kan ett högt bakgrundsbrus höras. Om man slår över till mono med FM MUTE /MODE, försvinner det mesta av bakgrundsbruset. Tryck på FM MUTE/ MODE igen för att koppla tillbaka till AUTO STEREO FM läge. FM MUTE status visas i displayen och AUTO/MONO läge visas i APR sektionen av displayen.

10. AUTOTUNE.

Om du trycker på AUTOTUNE ställs NAD 414RDS om i läget för automatisk inställning.

När man vrider TUNE/PRESET (11) ratten med- eller motsols börjar radion att söka efter en sändare med god styrka (tre steg eller mer på signalstyrkemätaren).

11. TUNE/PRESET.

Ratten för Tune/Preset används för att ställa in radion manuellt eller automatiskt. Den används också för att välja snabbval eller för att programmera in stations namn.

12. PRESET.

För att välja någon av de stationer som lagrats som snabbval i apparatens minnesbanker trycker man Preset.. Välj ur vilken bank du vill hämta stationen med BANK (7), vrid sedan på TUNE/PRESET ratten tills rätt station visas i displayen.

13. FM.

FM knappen kopplar om radion till FM mottagning. Displayen visar frekvensen på den valda stationen och vilket band som valts. Avstämningen sker med 0.025 MHz steg.

14. AM.

AM knappen kopplar om radion till AM mottagning. Displayen visar frekvensen på den valda stationen och vilket band som valts. Avstämningen sker med 9kHz steg.

IF BAND, FM/MUTE, DISPLAY och PTY TP AF knapparna fungerar inte vid AM mottagning.

15. DISPLAY PANELEN.

I displayen får man information om vilka funktioner och lägen apparaten är inställd för och vilken station som valts. STATION DATA visar stationens namn, frekvens och annan information som RDS och egen inprogrammerad information.



APR sektionen.

RF MODE. NAD 414RDS väljer själv vilken RF typ som passar bäst till den mottagna signalen. DX väljs för normalstarka sändare och LOCAL väljs för de stationer med mycket stark signal.

STEREO MODE. Radion väljer själv stereomottagning om stationen sänder i stereo (AUTO) eller mono (MONO). Indikerar även om radion står i FM MUTE/AUTO MODE (ON) eller FM MUTE OFF/MONO MODE (OFF).

SIGNAL STRENGTH. Visar styrkan på den mottagna signalen. Max signalnivå visas med fem tecken. Ett eller två tecken är otillräckligt för god mottagning och ger mycket störningar och bakgrundsbrus.

FM MUTE. Indikerar om radion är i FM MUTE/AUTO MODE (ON) eller FM MUTE OFF/MONO MODE (OFF).

>TUNED<. Visar att en station är korrekt inställd.

STEREO. Visar att en station sänder i stereo och att radion är i AUTO MODE.

MEMORY. Lyser när minnesfunktionen är aktiv och stationer och tecken läggs in i minnet.

RDS. Indikerar att den inställda stationen sänder RDS information.

BANK. Visar vilken minnesbank som valts.

PRESET NUMBER. Visar det valda snabbvalsnumret.

HUR DU SÖKER OCH LAGRAR RADIO-STATIONER MED AUTOTUNE.

Du kan använda SEARCH läget för att automatiskt söka efter stationer, och sedan STORE för att lagra dem i minnet. Välj först FM eller AM. Om du vill söka efter de stationer som finns tillgängliga i ditt närområde, kommer NAD 414RDS bara att söka efter de starkaste stationerna. Alla stationer med signal svagare än tre tecken kommer att ignoreras. Om du vill inkludera alla stationer i sökningen, oavsett hur svaga de är, stäng av FM muting genom att trycka på FM MUTE. FM MUTE On / Off visas i displayen.

Tryck nu på AUTOTUNE och vrid på TUNE/PRESET medsols för att söka uppåt på frekvensbandet eller motsols för att söka nedåt på frekvensbandet.

När radion hittar den första stationen med tillräcklig styrka avstannar sökningen. Om stationen sänder RDS information, kommer RDS indikatorn att lysa och stationens initialer och frekvens visas i displayen. Om den funna stationen inte sänder RDS kommer bara frekvensen att visas.

För att lagra stationen som snabbval skall du trycka på MEMORY. Memory indikatorn lyser nu upp och snabbvalssektionen visas nu i displayen. Tryck på BANK för att välja i vilken av de tre bankerna stationen skall lagras i. Vrid på TUNE/PRESET ratten för att välja vilket nummer snabbvalet skall få (numret visas blinkande i displayen) och tryck sedan på MEMORY igen. Memory indikatorn slocknar nu och stationen är lagrad i minnet.

Du kan lägga in en ny station på ett ledigt nummer eller skriva över en gammalt snabbval. Då raderas den gamla informationen och den nya stationens data lagras på samma plats.

För att gå ur Memory läget utan att lagra någon station skall du inte röra någon tangent på åtta sekunder. Då återgår apparaten själv till normal drift.

Minnet håller informationen även om apparaten kopplas ur vägguttaget upp till två veckor.

HUR DU VÄLJER EN STATION UR SNABBVALS MINNET.

För att välja ett snabbval trycker du på PRESET knappen och sedan väljer du ur vilken bank med BANK knappen. Vrid sedan på TUNE/PRESET ratten tills önskad snabbval kommer fram i displayen.

Alla oanvända snabbval hoppas över och det är inte möjligt att välja bank om inte någon station i banken har använts. Om du vill söka igenom en hel bank för lämplig station, tryck SCAN.

NAD 414RDS letar då igenom hela banken och spelar varje station i sex sekunder. När du hör önskad station trycker du SCAN igen för att avbryta SCAN.

HUR DU RADERAR EN LAGRAD STATION.

Du kan tömma ett snabbval genom att radera den lagrade informationen. Välj först vilket snabbval du vill radera och tryck in MEMORY knappen, håll den intryckt och tryck FM MUTE/MODE. Snabbvalet raderas och "-" visas i displayen. Du kan lägga in en ny station på ett ledigt nummer eller skriva över en gammalt snabbval. Då raderas den gamla informationen och den nya stationens data lagras på samma plats.

HUR DU SÖKER OCH LAGRAR RADIOSTATIONER MANUELLT.

Du kan även söka efter stationer manuellt, och lagra dem i minnet. Välj först FM eller AM och välj FM MUTE ON eller OFF som önskas. Vrid på TUNE/PRESET medsols för att söka uppåt på frekvensbandet eller motsols för att söka nedåt på frekvensbandet.

När radion hittar den första stationen med tillräcklig styrka avstannar sökningen och >TUNE< visas i displayen. Om det skulle vara svårt att skilja ut två stationer som ligger nära varandra, kan trycka in IF BAND så att den står i NARROW. Det gör det lättare att ställa in rätt station.

Om stationen sänder RDS information, kommer RDS indikatorn att lysa och stationens initialer och frekvens visas i displayen. Om den funna stationen inte sänder RDS kommer bara frekvensen att visas.

För att lagra stationen som snabbval skall du trycka på MEMORY. Memory indikatorn lyser nu upp och snabbvalssektionen visas nu i displayen. Tryck på BANK för att välja i vilken av de tre bankerna stationen skall lagras i. Vrid på TUNE/PRESET ratten för att välja vilket nummer snabbvalet skall få (numret visas blinkande i displayen) och tryck sedan på MEMORY igen. Memory indikatorn slocknar nu och stationen är lagrad i minnet.

HUR DU LAGRAR ETT STATIONSNAMN.

När en station sänder RDS information, visar apparaten automatiskt stationens initialer och frekvens när dess snabbval används. Även om NAD 414RDS visar frekvensen på snabbval som inte sänder RDS så kan du själv skriva in namn på stationerna för att lättare kunna identifiera vilka stationer du har som snabbval.

För att skriva in namn, plocka fram det snabbval du vill namnge, tryck sedan på CHARACTER och den första bokstavsplatsen i minnet blinkar. Vrid på TUNE/PRESET ratten för att välja första bokstaven (se separat lista). Tryck på MEMORY för att lagra varje bokstav. Tryck på CHARACTER igen när hela namnet är komplett. Den här funktionen fungerar bara för stationer utan RDS. Namn på RDS stationers visas automatiskt och kan inte skrivas över.

Det finns 54 olika tecken att välja mellan inklusive mellanslag.

HUR DU ANVÄNDER RDS.

De flesta större FM radiostationer sänder idag RDS information. RDS gör det lättare att hitta rätt station genom att namn och frekvens visas i displayen. RDS kan också visa vilken typ av program som sänds, om den aktuella stationen sänder trafikinformation och även sända ren textinformation som till exempel lättitlar.

RDS kan också hjälpa till med att hitta andra intressanta stationer. Med SCAN funktionen kan du leta upp den starkaste sändaren av en viss station eller leta upp andra stationer som sänder samma typ av program eller hitta andra stationer som sänder trafikinformation.

Det finns sex typer av RDS service och även om NAD 414RDS kan visa och använda alla dessa, är det inte alla stationer som sänder full RDS.

De olika typerna av RDS är:

PS

Program Service Namn Visar stationens initialer.

PTY

Program Typ Visar vilken typ av program som sänds.
Kan användas för att söka efter en viss typ av program hos andra stationer.

TP

Trafik Program Visar om trafikinformation sänds.
Kan användas för att söka efter trafikinformation hos andra stationer.

AF

Alternativ Frekvens Används för att söka andra frekvenser som stationen sänder på.

RT

Radio Text Visar tilläggsinformation om det aktuella programmet som t.ex.. aktuell låt.

CT

Klocka När en RDS station sänder CT, kommer en klocka att visas i displayen inom en minut efter det att stationen ställts in.

VISNING AV RDS INFORMATION.

När en RDS station tas emot, kommer NAD 414RDS att visa PS data för att visa stationens initialer och frekvens i Stations Data sektionen av displayen. Vill man se övrig RDS information trycker man på Display knappen. Trycker man DISPLAY en gång kommer man till Program Identifikation och stationens fulla namn, innehåll och frekvens visas. Om det inte sänds någon Program Identifikation kommer "NO TEXT" att synas i displayen.

Trycker man DISPLAY en andra gång visas Radio Text information, om det sänds. Om det inte sänds någon RT kommer "NO UPDATE" eller aktuell tid att synas i displayen. Det tar två till tre sekunder för Radio Text att sändas. Om apparaten väntar på ny text kommer "WAIT" att visas i displayen.

Trycker man DISPLAY en tredje gång visas den aktuella stationens frekvens.

För stationer som inte sänder RDS skiftar DISPLAY mellan stationens frekvens och det egna inlagda namnet på stationen.

Alternativ

RDS-station	Station utan RDS
--------------------	-------------------------

Normal

Initialer (PS)	Namn efter eget val eller frekvens.
----------------	-------------------------------------

Ett tryck på DISPLAY.

RT*	Stationens frekvens
-----	---------------------

Andra trycket

CT*	Stationens frekvens
-----	---------------------

Tredje trycket

Stationens frekvens	Stationens frekvens
---------------------	---------------------

* För mer information om RDS se stycket om "Hur du använder RDS".

HUR DU ANVÄNDER RDS FÖR ATT SÖKA STATIONER OCH INFORMATION.

RDS erbjuder en funktion som gör att man automatiskt kan söka andra stationer som sänder samma typ av program eller stationer som sänder trafikinformation eller samma station men med starkare sändare.

För att använda RDS för att söka efter stationer som sänder samma programtyp, tryck på PTY TP AF knappen en gång. Den aktuella stationens program-



typ visas i två sekunder i Station Data sektionen i displayen (se lista nedan). Tryck SCAN medan detta visas och radion söker automatiskt efter andra RDS stationer som sänder samma typ av program. Tryck på SCAN igen för att avbryta sökningen vid önskad station. Om du vill söka efter en speciell programtyp, tryck på PTY TP AF en gång och välj kategori med TUNE/PRESET ratten, tryck sedan SCAN för att söka.

För att använda RDS för att söka efter stationer som sänder trafikinformation (ofta korta bulletiner), tryck på PTY TP AF knappen två gånger tryck sedan SCAN. Radion söker nu automatiskt efter andra RDS stationer som sänder trafikinformation. "**TP**" Indikerar att en RDS station inkluderar trafikinformation i sändningarna. "TP" indikerar en RDS station inte inkluderar trafikinformation i sändningarna eller en station som inte sänder RDS.

För att använda RDS till att finna en starkare sändare av samma station med starkare signal, tryck på PTY TP AF knappen tre gånger och tryck SCAN. NAD 414RDS kommer nu att själv söka efter den starkaste sändaren av den inställda stationen. Detta används oftast i bilradiosammanhang för att kunna lyssna på samma station under en resa. Hemma kan det användas för att kontrollera att man tar emot den starkaste sändaren av en viss station.

RDS SÖK ALTERNATIV

PTY TP AF * 1

PTY programtyp Används till att söka andra liknande program som sänds av andra stationer.

PTY TP AF * 2

TP trafikprogram Används till att söka stationer som sänder trafikinformation.

PTY TP AF * 3

AF alternativ frekvens Används till att söka en starkare sändare av samma stationer.

Program typ kan vara en av följande 15 kategorier:

NONE	Ingen PTY sänds.
NEWS	Nyhetsprogram
AFFAIRS	Affärsprogram
INFO	Generell information
SPORT	Sportprogram
EDUCATE	Utbildningsprogram
DRAMA	Radioteater
CULTURE	Kultur/diskussionsprogram
VARIED	Olika typer av program
POP M	Popmusik
ROCK M	Rockmusik
M.O.R. M	Skvalmusik
LIGHT M musik	Lättare musik/Lättare klassisk
CLASSICS	Klassisk musik
OTHER M	Annan musik som Jazz, Folk, Country, Reggae, R&B etc.

VISA KLOCKAN.

1. Tryck på DISPLAY och RT informationen visas.
2. Tryck på DISPLAY en gång till.

En klocka visas i displayen efter en minut efter en station som sänder CT ställts in.

NO UPDATE eller NO TIME visas om stationen inte sänder CT. Då visas istället PS information.

(Fungerar bara på RDS stationer)



Det finns 54 olika tecken att välja mellan inklusive mellanslag.

FELSÖKNINGSGUIDE.

Inget ljud.

Nätsladden ej ansluten. Apparaten ej påslagen.
Signalkabeln lös eller trasig.
En säkring har gått i apparaten.

*Kontrollera nätsladden.
Kontrollera anslutningar och kablar.
Kontakta Hi-Fi klubben.*

Inget ljud i ena kanalen.

Signalkabeln lös eller trasig.

Kontrollera anslutningar och kablar.

Störningar.

Brus. Svag signal

Kontrollera signalstyrkan, Kontrollera inställningen. Justera antennen.

Distorsion. "Multipath" störningar.

Välj IF BAND "NARROW". Kontrollera inställningen. Justera antennen.

Visslande ljud eller surr på AM och FM. Dataspel, dator mobiltelefon i närheten.

Kontrollera inställningen. Stäng av störande föremål.

Visslande ljud och språk på AM: Interferens från lysrör eller annan elektrisk utrustning.

Kontrollera inställningen. Justera antennen.

Ingen RDS information.

Stationen för svag.

Kontrollera signalstyrkan, Kontrollera inställningen. Justera antennen.

Stationen sänder inte RDS.

Inget botmedel.



SINTONIZADOR ESTEREOFÓNICO AM/FM NAD 414 RDS

NOTAS SOBRE A INSTALAÇÃO.

O seu NAD 414RDS deve ser colocado numa superfície firme e nivelada. Evite colocar a unidade à luz directa do sol, perto de fontes de calor e em situações húmidas ou mal ventiladas. É fornecido com fios de som para ligação ao seu amplificador. Certifique-se que os fios e os conectores não estão danificados por qualquer forma e que todos os conectores são empurrados com firmeza no respectivo lugar. Se a unidade não vai ser usada durante algum tempo, desligue a ficha da tomada CA.

Se água entrar no seu NAD 414, desligue a electricidade para a unidade e tire a ficha da tomada CA. Faça com que a unidade seja inspeccionada por um técnico de manutenção qualificado antes de tentar usar novamente a mesma.

Não tire a tampa; não há quaisquer peças sujeitas a manutenção dentro da unidade.

Use um pano macio para limpar a unidade. Se for necessário, humedeça ligeiramente o pano com água e sabão. Não use soluções contendo benzina ou outros agentes voláteis.

ARRANQUE RÁPIDO

1. Use o fio de som para som para ligar o NAD 414 às saídas esquerda e direita para a entrada do sintonizador do seu amplificador.

2. Encaixe o fio de electricidade CA.

3. Ligue a antena de AM e de FM.

4. Prima o botão ELECTRICIDADE (POWER) para ligar o NAD 414.

5. Prima o botão de AM ou de FM para seleccionar a recepção de AM ou de FM.

6. Use o sistema SINTONIZAÇÃO/PRÉ-REGULAÇÃO (TUNE/PRESET) para seleccionar um posto de rádio.

LIGAÇÕES DO PAINEL TRASEIRO.

1. ANTENA FM

Uma antena de FM em fio de fita está incluída e deve ser ligada ao conector de FM na traseira da unidade. (Modelos para o Australia devem usar o adaptador 'balun' fornecido - consulte a fig. 1). A antena em fita deve ser montada numa superfície vertical e colocada numa configuração de 'T'.

Experimente a colocação da antena para determinar a posição que produz um sinal da máxima potência e ruído de fundo mínimo. O aparelho de medida de potência do sinal no Painel do Ecrã auxiliará a indicar quais são as melhores posições da antena.

Um sinal de FM adequado normalmente resulta em níveis altos de sibilo, especialmente em estéreo e interferência de fontes eléctricas externas. Em áreas de má recepção de FM, o desempenho da secção do sintonizador pode ser aperfeiçoado usando uma antena de FM montada no exterior. Um instalador de

antenas qualificado poderá aconselhar e montar uma antena recomendada para as suas condições de recepção.

2. ANTENA DE AM

Uma antena em laçada de AM é fornecida com o NAD 414 e é necessária para recepção em AM. Para ligar a antena de AM, primeiro empurre para baixo as teclas nos terminais da antena. Insira os fios decapados da antena nos dois orifícios do terminal e empurre as teclas do conector para cima mais uma vez para segurar a ligação.

Ensaie várias posições para a antena, mas certifique-se sempre que a laçada está colocada verticalmente para obter a melhor recepção. A colocação da antena próximo de artigos metálicos grandes, como por exemplo prateleiras de metal e radiadores, pode interferir com a recepção (consulte a fig. 2).

3. SAÍDA [OUTPUT]

Saída de áudio análoga do 414. Usando fios gêmeos de som para som, ligue as saídas esquerda (branca) e direita (vermelha) à entrada do 'sintonizador' ou a outra entrada de nível de linha, como por exemplo a entrada 'Aux' do seu amplificador. Não ligue este cabo aos bornes de entrada (FONIA) (PHONO) do amplificador.

4. ENTRADA SAÍDA DA LIGAÇÃO NAD [NAD-LINK OUT]

O conector da ligação NAD (NAD-Link) é usado para transmitir comandos vindos de outras unidades equipadas com conectores NAD-Link. Isto permite controlo centralizado de um sistema completo e também permite que algumas das funções básicas do NAD 414 sejam controladas usando o controlo remoto do amplificador ligado ao NAD ou produza um controlo do sistema para mais de uma sala. Para funcionar com outras unidades, ligue a SAÍDA NAD-Link do sintonizador à ENTRADA NAD-Link na outra unidade. Os conectores NAD-Link podem ser instalados em cadeia, ENTRADA para SAÍDA, por forma que um sistema completo possa ser controlado a partir das instalações de controlo remoto de uma unidade.

5. CORDÃO DA LINHA CA.

Ligue este cordão da electricidade a uma tomada na parede da rede geral CA

Encaixe o cordão da electricidade CA numa tomada da parede CA que esteja ligada à rede geral ou a uma saída prática da rede CA na traseira do seu amplificador.

COMANDOS DO PAINEL DIANTEIRO.

1. LIGAÇÃO/CORTE DA ELECTRICIDADE.[POWER ON/OFF]

A ELECTRICIDADE liga ou desliga o gira-discos. Premindo o interruptor da electricidade liga o sintonizador, o que é indicado pela activação do painel do ecrã. Voltando a premir o botão da ELECTRICIDADE (POWER), irá desligar o gira-discos.

Quando a unidade está desligada, não é fornecida electricidade ao sistema electrónico do NAD 414, mas todas as regulações prévias da memória permanecerão memorizadas.

PRECAUÇÃO: A electricidade não é completamente desligada quando o botão ELECTRICIDADE (POWER) é mudado para a posição de desligado. Queira fazer o favor de desligar o seu equipamento NAD 414 da tomada CA quando o equipamento não vai ser usado durante períodos longos.

2. BANDA IF [IF BAND]

Premindo o botão da BANDA IF (IF BAND) selecione uma banda de operação em IF, Larga ou Estreita, conforme indicado pelo fotodiodo ao lado do botão. A regulação normal é banda LARGA, que é apropriada para a maioria das condições de recepção. No entanto, se dois postos de rádio recebidos estiverem a funcionar em frequências muito próximas uma da outra, nesse caso a selecção da banda ESTREITA irá ajudar a rejeitar interferência do posto indesejado.

3. CARACTER [CHARACTER]

O botão CARACTER é usado para introduzir os nomes dos postos de rádio pré-regulados para apresentação visual quando é seleccionado o posto. Usado em conjunto com os botões SINTONIZAR/PRÉ-REGULAR (TUNE/PRESET) (11) e MEMÓRIA (MEMORY) (8).

4. APRESENTAÇÃO VISUAL [DISPLAY]

Premindo o botão de APRESENTAÇÃO VISUAL (DISPLAY) faz a ligação entre as opções de apresentação do posto de rádio vistas no painel de visualização.

Opções	Posto não RDS
Posto RDS	
Normal	
PS*	Nome do posto introduzido pelo utilizador
Premindo:	
APRESENTAÇÃO x 1	
RT*	Frequência do posto
APRESENTAÇÃO x 2	
CT*	-
APRESENTAÇÃO X 3	
Frequência	-

* Para informação sobre o Serviço de Dados de Rádio, queira consultar a lista na secção "USANDO RDS" (Serviço de Dados de Rádio).

5. PTY TP AF

Premindo PTY TP AF permite-lhe procurar outros postos usando o tipo de programa RDS, características de informações de tráfico e frequências alternativas e é usado com o botão de busca (SCAN (6)). As informações são visualizadas durante três segundos, após o que o ecrã volta a apresentar as iniciais e frequência do posto.

Informações do ecrã

Posto RDS	Posto não RDS
Operação normal	
Iniciais e frequência do posto	Frequência do posto
Premindo PTY TP AF	
Tipo do programa PTY	'NÃO RDS'
Premindo PTY TP AF	
Informações do tráfico TP	'TP'
Premindo PTY TP AF	
Frequências AF alternativas	'NÃO RDS'

6. BUSCA [SCAN]

Premindo o botão de BUSCA (SCAN) regula o NAD 414 para proceder à busca através de cada um dos postos pré-regulados para automaticamente retirar uma amostra de cada um dos postos pré-regulados num determinado banco da memória. Cada posto é ouvido durante seis segundos e depois o sistema de busca passa para o posto regulado seguinte. Quando é ouvido um posto apropriado, volte a premir o botão BUSCA (SCAN) para cancelar o processo de busca. O botão BUSCA (SCAN) também é usado em conjunto com o botão PTY TP AF (5) do NAD 414 para descobrir qual é a versão do sinal mais forte do posto presentemente escolhido, postos que tenham programação semelhante ou postos que contenham informações de tráfico nas suas difusões.

7. BANCO [BANK]

Premindo o botão BANCO (BANK) muda entre três bancos de memória pré-regulados (A, C ou C). Estes Bancos podem conter uma mistura até dez postos em AM ou FM. O Banco seleccionado é visualizado no ecrã.

8. MEMÓRIA [MEMORY]

Usada para memorizar postos em três bancos de memória pré-regulados ou para memorizar os nomes definidos pelo utilizador para postos pré-regulados não RDS. Usado em conjunto com o botão PRÉ-REGULAÇÃO (PRESET) (12) e o botão SINTONIZAR-PRÉ-REGULAR (TUNE/PRESET) (11). Quando a memória está activa, o número da pré-regulação cintila e o indicador vermelho 'Memória' é apresentado no ecrã.

9. EMUDECIMENTO DE FM/MODO [FM MUTE/MODE]

Se estiver a ser recebido um sinal forte em FM estereofónica, o seu NAD 414 irá mudar automaticamente para operação estereofónica em FM, o que é indicado pelo indicador ESTEREFONIA (STEREO) no ecrã, e o sintonizador irá emudecer quando estiver a proceder à busca entre estações.

Sinais estereofónicos fracos, no entanto, podem ter um alto nível de sibilado de fundo. A mudança para o modo Mono premindo o botão EMUDECIMENTO DE FM /MODO (FM MUTE/MODE) irá cancelar a maior parte ou a totalidade deste ruído de fundo. Volte a premir o interruptor EMUDECIMENTO DE FM/MODO (FM MUTE/MODE) para voltar à operação automática em FM estereofónica. A situação de ligação/desligação do Emudecimento de FM é apresentada no ecrã e o Modo Automático/Mono é apresentado na secção APR do ecrã.

10. SINTONIZAÇÃO AUTOMÁTICA [AUTOTUNE]

Premindo o botão SINTONIZAÇÃO AUTOMÁTICA (AUTOTUNE) coloca o NAD 414 no modo de sintonização automática. Girando o botão SINTONIZAÇÃO/PRÉ-REGULAÇÃO (TUNE/PRESET) (11) da esquerda para a direita ou da direita para a esquerda irá regular o sintonizador em busca ascendente ou descendente das frequências de rádio para descobrir o primeiro posto que esteja a ser recebido com um sinal razoavelmente poderoso (três ou mais barras no Medidor da Potência de Sintonização).

11. SINTONIZAÇÃO/PRÉ-REGULAÇÃO [TUNE/PRESET]

O botão SINTONIZAÇÃO/PRÉ-REGULAÇÃO (TUNE/PRESET) é usado para sintonizar manual ou automaticamente um posto de rádio, seleccionar um posto pré-seleccionado ou para programar os nomes dos postos de rádio no seu NAD 414.

12. PRÉ-REGULAÇÃO [PRESET]

Premindo o PRÉ-REGULAÇÃO (PRESET), permite-lhe seleccionar qualquer um dos postos que tenham sido memorizados nos Bancos Pré-regulados da Memória. Selecciona o banco em que tenha memorizado o posto, usando o botão BANCO (BANK) (7), e depois gire o botão SINTONIZAÇÃO/PRÉ-REGULAÇÃO (TUNE/PRESET) para o posto pré-regulado pretendido. O número da pré-regulação e o nome do posto ou a frequência serão indicados no ecrã.

13. FM

O botão de FM muda o sintonizador para recepção em FM. O ecrã apresenta a frequência ou o posto sintonizado e qual a banda em que foi seleccionada. A sintonização em FM é em incrementos de 0,025MHz.

14. AM

O botão AM muda o sintonizador para recepção em AM. O ecrã apresenta a frequência do posto sintonizado e qual a banda que foi seleccionada. A sintonização em AM é em incrementos de 9kHz.

Os botões BANDA IF (IF BAND), EMUDECIMENTO DE FM/MODO (FM MUTE/MODE), ECRÃ (DISPLAY) PTY TP AF não funcionam para postos em AM.

15. ECRÃ

O ecrã apresenta informações acerca dos modos de funcionamento do NAD 414 e informações acerca do posto presentemente seleccionado.

O ecrã de DADOS DO POSTO apresenta o nome do posto, frequência e outras informações fornecidas no serviço RDS ou introduzidas manualmente pelo utilizador.

Secção APR

MODO RF O seu NAD 414 irá seleccionar automaticamente o modo RF que funciona melhor quando está a ser recebido o sinal. DX é seleccionado para sinais de potência normal e LOCAL é seleccionado quando o equipamento está sintonizado para outros postos com sinais de rádio muito poderosos que poderiam causar distorção.

MODO ESTEREOFÓNICO O sintonizador muda automaticamente para estereofonia quando um posto estereofónico é recebido (AUTO) ou está sempre em Mono (MONO). Tal indica se o sintonizador está ligado (ON) no modo de Emudecimento de FM/Auto ou desligado (OFF) no modo de emudecimento de FM/Mono.

POTÊNCIA DO SINAL Indica a potência do sinal de rádio recebido. A potência máxima do sinal é indicada por cinco barras. Uma ou duas barras indicam potência inadequada do sinal que pode dar origem a interferência ou ruído.

EMUDECIMENTO DE FM Indica se o sintonizador está ligado (ON) no modo de Emudecimento/Auto ou desligado (OFF) no modo de Emudecimento de FM/Mono

>TUNED< (<SINTONIZADO>) Indica que o posto está correctamente sintonizado.

ESTEREOFONIA Indica que um posto em FM está a transmitir em estereofonia e o sintonizador está a funcionar no modo automático.

MEMÓRIA Acende-se quando a função de memória é activada e os postos ou caracteres estão a ser introduzidos na memória.

RDS (SERVIÇO DE DADOS DE RÁDIO) Indica que o posto seleccionado está a transmitir informações do Serviço de Dados de Rádio (RDS)

BANCO Indica o Banco da Memória presentemente seleccionado

NÚMERO PRÉ-REGULADO Indica o número pré-regulado da Memória Actual

DESCOBERTA E ARMAZENAGEM DE POSTOS EM AM E FM USANDO O SINTONIZADOR AUTOMÁTICO [AUTOTUNE].

Pode usar o modo de BUSCA para procurar automaticamente postos e depois usar o modo de armazenagem para os introduzir na memória do NAD 414.

Primeiro selecione a banda em AM ou FM usando o botão do AM ou FM. Se desejar procurar os principais postos disponíveis na sua área, nesse caso o NAD 414 irá procurar apenas os sinais poderosos (três ou mais barras no ecrã da Potência do Sinal) e todos os postos fracos serão emudecidos e ignorados. Se desejar incluir todos os sinais na busca, seja qual for a fraqueza do sinal, desligue o emudecimento de FM premindo o botão EMUDECIMENTO DE MM (FM MUTE). O ecrã indica então Emudecimento de FM ligado/desligado (FM Mute On/Off).

A seguir prima SINTONIZAÇÃO AUTOMÁTICA (AUTOTUNE) e gire o botão de SINTONIZAÇÃO/BARRA (TUNE/PRESET) da esquerda para a direita para procurar no sentido ascendente da banda de frequências, ou da direita para a esquerda para procurar o sentido descendente da banda de frequências.

Quando o sintonizador encontra um sinal de transmissão da potência adequada (indicado por pelo menos três barras no medidor da potência de sintonização e pela iluminação do indicador >SINTONIZAÇÃO< (>TUNE<)) nesse caso a busca automática pára nesse posto. Se o posto estiver a transmitir informações do serviço de dados de rádio (RDS), o indicador de RDS acender-se-á e as iniciais de frequência do posto serão visualizados no ecrã. Se não for encontrado qualquer posto não RDS, nesse caso será visualizada apenas a frequência.

Para memorizar o posto como um posto pré-regulado, prima MEMÓRIA (MEMORY). O indicador da Memória será visualizado e a secção pré-regulada irá ser apresentada rapidamente no ecrã.

Prima BANCO (BANK) para seleccionar qual dos três bancos de pré-regulações em que deseja memorizar o posto. Gire o botão SINTONIZAÇÃO/PRÉ-REGULAÇÃO (TUNE/PRESET) para seleccionar qual o número de pré-regulação que deseja atribuir ao posto (visualizado como um número a passar rapidamente no ecrã) e depois volte a premir MEMÓRIA (MEMORY). A luz da Memória no ecrã apaga-se e o posto agora está memorizado na memória do seu equipamento NAD 414.

Pode introduzir um posto novo numa pré-regulação não usada ou memorizar numa pré-regulação da Memória previamente programada. Ao proceder assim, irá substituir todos os dados previamente contidos nesse número da pré-regulação.

Para sair do modo da Memória sem memorizar um posto, não toque em qualquer um dos comandos; a modo de Memória irá cancelar-se automaticamente após 8 segundos. As pré-regulações da Memória são guardadas na memória não volátil e assim permanecerão memorizadas mesmo se o sintonizador for desligado ou for desencaixado da corrente da rede geral.

SELECÇÃO DE UM POSTO PRÉ-REGULADO.

Para seleccionar um posto pré-regulado da Memória, prima o botão PRÉ-REGULAÇÃO (PRESET) e depois selecione qual o Banco de Pré-regulações que deseja usar premindo o botão BANCO. Gire o botão SINTONIZAÇÃO/PRÉ-REGULAÇÃO (TUNE/PRESET) até ser encontrada a pré-regulação correcta e esta seja visualizada no ecrã.

Quaisquer pré-regulações não usadas serão ignoradas e não é possível seleccionar um Banco a não ser que pelo menos esteja memorizada uma pré-regulação no mesmo.

Se desejar fazer uma busca automática de todo o banco para um programa apropriado, prima BUSCA (SCAN). O NAD 414 irá então procurar através de todos os postos pré-regulados no banco actualmente usado, tocando cada um deles durante 6 segundos. Quando é ouvido um programa apropriado, prima novamente BUSCA (SCAN) para cancelar o modo de busca.

ELIMINAÇÃO DE UM POSTO MEMORIZADO.

Pode esvaziar uma pré-regulação eliminando as informações memorizadas. Primeiro selecione a pré-regulação da memória a ser eliminada e depois prima o botão MEMÓRIA (MEMORY), mantenha-o premido e prima o botão de EMUDECIMENTO DE FM/MODO (FM MUTE/MODE). A pré-regulação da Memória será então omitida e aparece '—' como o número da pré-regulação. Pode memorizar um novo posto numa pré-regulação usada, simplesmente passando através do processo de memorização de pré-regulações e colocando um posto novo sobre o posto já existente.

DESCOBERTA E MEMORIZAÇÃO DE POSTOS EM AM E FM USANDO A SINTONIZAÇÃO.

Também pode SINTONIZAR manualmente postos e memorizá-los na memória do NAD 414. Primeiro selecione a banda de AM ou FM usando o botão AM ou FM. Selecione o modo de Emudecimento de FM Ligado ou Desligado conforme necessário.

Depois gire o botão SINTONIZAÇÃO/PRÉ-REGULAÇÃO (TUNE/PRESET) da esquerda para a direita para proceder à busca no sentido ascendente da banda de frequências ou da direita para a esquerda para proceder à busca no sentido descendente da banda de frequências.

Quando o sintonizador estiver devidamente trancado num posto, nesse caso o indicador de >SINTONIZAÇÃO< (>TUNE<)) irá acender-se. Se tiver dificuldade na sintonização entre dois postos em frequências adjacentes, ligue a BANDA DE IF 0 para 'Estreita'. Isto facilitará a trancagem do equipamento NAD 414 no posto pretendido. Se o posto estiver a transmitir informações do Sistema de Dados de Rádio (RDS) o indicador de RDS acender-se-á e as iniciais e frequência deste posto serão visualizadas

no ecrã. Se não for descoberto qualquer posto não RDS, nesse caso será apresentada apenas a frequência.

Memorize o posto na memória pela mesma forma que se encontra descrita em 'Descoberta e Memorização de Postos em Am e FM Usando Sintonização Automática'.

ARMAZENAGEM DUM POSTO.

Quando um posto estiver a transmitir informações do Serviço de Dados de Rádio (RDS), o seu NAD 414 irá apresentar automaticamente as iniciais e frequência desse posto quando é usado a respectiva pré-regulação. Apesar do sintonizador apresentar automaticamente a frequência de qualquer outro posto pré-regulado não RDS, também lhe permite dactilografar o nome do posto para facilitar a identificação de qual o posto que se encontra memorizado na pré-regulação da Memória.

Para introduzir um nome, primeiro seleccione a pré-regulação à qual deseja atribuir um nome. Depois prima o botão CHARACTER (CHARACTER) e o primeiro espaço na área de dados do posto do ecrã irá cintilar. Gire o botão SINTONIZAÇÃO/PRÉ-REGULAÇÃO (TUNE/PRESET) para seleccionar o primeiro carácter (consulte a lista de caracteres como referência). Premindo o botão MEMÓRIA (MEMORY) irá memorizar o primeiro carácter e avançar para o espaço seguinte na linha. Use outra vez o botão SINTONIZAÇÃO PRÉ-REGULAÇÃO (TUNE/PRESET) para seleccionar o carácter seguinte do nome e prima MEMÓRIA (MEMORY) para memorizar este. Continue até que o nome do posto esteja completo (até ao máximo de 8 caracteres. Volte a premir o botão CHARACTER (CHARACTER) para memorizar o nome completo. Esta função só está disponível para postos não RDS. Os postos do Sistema de Dados de Rádio (RDS) serão sempre visualizados com o seu nome transmitido e tal não pode ser obliterado usando CHARACTER (CHARACTER).

Existem 54 caracteres disponíveis, incluindo um espaço em branco.

USANDO O SISTEMA DE DADOS DE RÁDIO [RDS].

Um número crescente de postos de rádio em FM estão a transmitir serviços adicionais e informações codificadas digitalmente num sinal normal em FM. Este Sistema de Dados de Rádio (RDS) facilita encontrar o posto correcto pela apresentação do respectivo nome e frequência. Também pode apresentar o tipo de programas que o posto está a transmitir, se está a transmitir informações de tráfico ou não, e também pode apresentar informações adicionais de texto, como por exemplo o título da pista que está presentemente a ser reproduzida.

O Sistema de Dados de Rádio (RDS) também pode facilitar encontrar outros postos que possam ter interesse. Usando a função BUSCA (SCAN) permite-lhe procurar a versão do sinal mais poderoso do posto que está a escutar, encontrar outros postos com tipos semelhantes de programa ou encontrar outros postos que transmitem informações de tráfico.

Existem seis serviços do Sistema de Dados de Rádio (RDS) e apesar do seu NAD 414 poder apresentar e usar todos estes, nem todos os postos de rádio transmitem todos os seis. Alguns podem enviar apenas o Nome e Identificação do Serviço do Programa.

Os seis serviços do Sistema de Dados de Rádio são:

PS Programa Serviço Nome

Indica as iniciais do Posto

PTY Tipo de Programa

Indica o tipo do programa que está a ser transmitido. Pode ser usado para procurar outros programas semelhantes que estão a ser transmitidos por outros postos

TP Programa de Tráfico

Indica se o Posto fornece informações de tráfico. Pode ser usado para procurar outros postos que transmitem informações de tráfico.

AF Frequências Alternativas

Usado para procurar outras frequências nas quais o Posto esteja presentemente a transmitir.

RT Texto de Rádio

Apresenta informações adicionais acerca do programa actual, como por exemplo o nome do programa ou o nome da pista actual que está a ser reproduzida.

CT Relógio

Quando é captado um Posto do Sistema de Dados de Rádio (RDS) que esteja a transmitir informações sobre a hora do dia, irá aparecer um relógio no ecrã no prazo de 1 minuto a contar do momento em que este posto é recebido.

VISUALIZAÇÃO DAS INFORMAÇÕES DO SISTEMA DE DADOS DE RÁDIO (RDS).

Quando é recebido um posto RDS, o indicador de RDS irá ser visualizado no ecrã e o seu NAD 414 irá usar os dados Programa Serviço Nome (PS) para visualizar as iniciais e frequência do Posto na secção dos Dados do Posto no ecrã. Pode ver as outras informações do Sistema de Dados de Rádio (RDS) premindo o botão VISUALIZAÇÃO.

Premindo VISUALIZAÇÃO mais uma vez irá mudar para identificação do programa e visualizar o nome completo do posto, descrição e frequência.

Se não estiver a ser transmitida qualquer identificação do programa, nesse caso será visualizado 'Sem Texto' em vez daquelas informações.

Premindo mais uma vez ECRÃ irá visualizar informações do Texto de Rádio, se este for transmitido.

Se não estão a ser transmitidas quaisquer informações do Texto de Rádio, nesse caso será visualizado 'Sem Actualização' ou a hora actual.

Leva dois ou três segundos até que as informações do Texto de Rádio sejam completamente transmitidas. Se a secção do RDS do sintonizador estiver à espera de ser actualizada, nesse caso o ecrã apresentará a mensagem 'ESPERE' ('WAIT').

Premindo três vezes ECRÃ irá visualizar a frequência para a qual o seu NAD 414 está sintonizado.

Para postos não RDS, o botão do ECRÃ irá ser mudado entre visualização do nome do posto introduzido pelo utilizador (se o houver) e a frequência.

	Posto RDS	Posto não RDS
Normal		
	Iniciais do Posto RDS (PS)	Nome do ponto introduzido pelo utilizador (ou frequência se não tiver sido introduzido um nome)
Prima:		
	VISUALIZAÇÃO (DISPLAY)	
x 1	RT*	Frequência presentemente sintonizada
x 2	CT*	-
x 3	Frequência presentemente sintonizada	-

* Para obter informações sobre o Serviço de Dados de Rádio, consulte a lista na secção "USO DO SERVIÇO DE DADOS DE RÁDIO" (RDS).

USO DO SERVIÇO DE DADOS DE RÁDIO (RDS) PARA BUSCA DE POSTOS E INFORMAÇÕES.

O Serviço de dados de Rádio (RDS) proporciona uma facilidade de procurar automaticamente outros postos que estejam a transmitir programas semelhantes, ou que forneçam informações de tráfego ou que sejam transmissões mais potentes do mesmo posto de frequências alternativas.

Para usar o Sistema de Dados de Rádio (RDS) para procurar postos que estejam a transmitir tipos semelhantes de programas, prima uma vez o botão PTY TP AF. O tipo do programa do posto actual será visualizado durante dois segundos na secção de Dados do Posto do ecrã (consulte a lista abaixo). Prima BUSCA (SCAN) enquanto isto está a ser visualizado e o seu NAD 414 irá procurar automaticamente outros postos RDS que estejam a transmitir o mesmo tipo de programa. Cada posto correspondente é ouvido durante seis segundos e a respectiva frequência cintila, e depois a busca continua para o próximo posto que esteja a transmitir o mesmo tipo de programa. Volte a premir BUSCA (SCAN) para parar a operação de busca num determinado posto.

Se desejar procurar desejar um determinado tipo de programa, nesse caso prima o botão PTY TP AF uma vez e depois use o botão de SINTONIZAÇÃO/PRÉ-REGULAÇÃO (TUNE/PRESET) para escolher o tipo de programa. Prima BUSCA (SCAN) para descobrir quaisquer programas correspondentes.

Para usar o Sistema de Dados de Rádio (RDS) para procurar postos que estejam a transmitir informações de tráfego (geralmente depois dos boletins noticiosos), prima duas vezes o botão PTY TP AF e prima BUSCA (SCAN). O seu NAD 414 irá procurar o primeiro posto RDS que inclua informações de tráfego nas suas transmissões. '*TP*' indica um posto RDS que inclua informações de tráfego. 'TP' indica um posto RDS que não tenha informações de tráfego ou

um posto que não seja um Serviço de Dados de Rádio (não RDS).

Para usar o Sistema de Dados de Rádio (RDS) para procurar o sinal mais poderoso para o posto actualmente escutado, prima o botão PTY TP AF três vezes e prima BUSCA (SCAN). O seu NAD 414 irá procurar o sinal mais poderoso para o posto presentemente esgotado.

Isto normalmente é usado em sistemas instalados em automóveis para comutar automaticamente para a versão mais poderosa de um posto de rádio nacional durante viagens. Mas pode ser usado para verificar se o seu equipamento está sintonizado para o melhor sinal que é possível desse posto específico.

Opções de busca do Sistema de Dados de Rádio (RDS)

Prima PTY TP AF x 1
PTY Tipo de programa
Usado para procurar outros programas semelhantes que estejam a ser transmitidos por outros postos.

Prima PTY TP AF x 2
TP Programa de tráfego
Usado para procurar outros postos transmitindo informações de tráfego.

Prima PTY TP AF x 3
AF Frequências alternativas
Usado para procurar outras frequências poderosas em que o posto presentemente esgotado esteja a ser transmitido.

Os Tipos de Programas podem recair numa de qualquer destas 15 categorias diferentes.

Tipos de Programa (PTY)

NONE	Não são transmitidas informações sobre o tipo de programa
NEWS	Programa noticioso
AFFAIRS	Programa de actualidades
INFO	Programa de informações gerais
SPORT	Programa desportivo
EDUCATE	Programa educacional
DRAMA	Peças ou programa dramático
CULTURE	Programa cultural/debate
SCIENCE	Programa sobre Ciência
VARIED	Outro material de programas gerais
POP M	Programa de música popular
ROCK M	Programa de música rock
M.O.R. M	Programa de música para gosto médio
LIGHT M	Programa de música ligeira/programa de música clássica ligeira
CLÁSSICS	Programa de música clássica
OTHER M	Outros tipos de música como seja jazz, música folclórica, country, reggae, R&B etc.

Relógio com mostrador (CT)

Se o posto que tiver a escutar não for um posto do Sistema de Dados de Rádio (non RDS), esta função não pode usada.



1. Prima o botão VISUALIZAR (DISPLAY) e serão visualizadas as informações sobre a hora.

2. Prima o botão VISUALIZAR (DISPLAY) mais uma vez.

• Irá aparecer um relógio no ecrã dentro de um minuto depois de ter recebido as informações sobre a hora actual do posto radio difusor.

Irá aparecer SEM ACTUALIZAÇÃO ou SEM HORA no ecrã dentro de vários segundos depois de ter recebido um sinal contendo as informações de que o posto não transmite a hora actual. Nesse caso, será visualizada uma mensagem contendo as informações PS.

DIAGNÓSTICO DE AVARIAS

AUSÊNCIA DE SOM

O fio da corrente CA está desencaixado ou a corrente não está ligada.

Os fios de transmissão de sinais estão ligados incorrectamente.

O posto não foi seleccionado ou há um sinal fraco com um modo de emudecimento de FM ligado.

Fusível interno fundido.

Verificar o fio CA.

Verifique as ligações para o amplificador.

Volte a sintonizar ou desligue o emudecimento de FM.

Consulte o distribuidor.

AUSÊNCIA DE SOM NO CANAL UM

Os fios de transmissão de sinais para o amplificador estão desligados ou danificados.

Verifique os fios e as ligações.

RUÍDO

Sibilado. Sinal fraco.

Verifique o instrumento de medida de potência de sinais. Verifique a sintonização do posto. Regule ou substitua a antena.

Distorção. Sinais de trajectos múltiplos ou interferência derivada de outro posto.

Verifique a sintonização do posto. Regule ou substitua a antena. Selecciona a regulação da banda 'Estreita' de IF.

Assobios ou zumbidos em FM e AM. Interferência derivada de outras fontes eléctricas - computadores, consolas de jogos.

Verifique a sintonização do posto. Desligue ou retire a fonte de ruído eléctrico.

Assobios ou zumbidos em AM: Interferência derivada de luzes fluorescentes ou motores eléctricos.

Verifique a sintonização do posto. Regule ou substitua a antena de AM.

AUSÊNCIA DE INFORMAÇÕES DO SISTEMA DE DADOS DE RÁDIO (RDS)

O sinal do posto é excessivamente fraco.

Verifique o aparelho de medida da potência do sinal. Verifique a sintonização do posto. Regule ou substitua a antena.

O posto não está a transmitir no Sistema de Dados de Rádio (RDS).

Não tem remédio.

	A	B	C	D	E	F	G	H
I	J	K	L	M	N	O	P	Q
R	S	T	U	V	W	X	Y	Z
"	&	'	:	;	+	.	-	
.	/	=	?	!	@	#	\$	%
1	2	3	4	5	6	7	8	9

Existem 54 caracteres disponíveis, incluindo um espaço em branco.

SPECIFICATION - NAD 414 RDS STEREO AM/FM TUNER

FM Section

Tuning Range		87.50 - 108.00 MHz (25kHz/50k Hz steps)
Usable Sensitivity	Mono:	11.2 dBf, 1.0 uV, 75 ohms, IHF
		0.9 uV, 75 ohms, DIN
	Stereo:	17.2 dBf, 2.0uV, 75 ohms, IHF
		20uV, 75 ohms, DIN
50dB Quieting Sensitivity	Mono:	16.1 dBf, 2.0uV, 75 ohms
	Stereo:	36.1 dBf, 17uV, 75 ohms
Capture ratio		1.5dB
Image Rejection Ratio		80dB
IF Rejection Ratio		90dB
Signal-to-Noise Ratio	Mono:	76dB, IHF
	Stereo:	66dB, IHF
Alternate Channel Attenuation		60dB, IHF
Selectivity		60dB, DIN (Narrow)
		(± 300kHz, 40kHz dev)
AM Suppression Ratio		50dB
Total Harmonic Distortion	Mono:	0.1% (Wide)
	Stereo:	0.2% (Wide)
Frequency Response		30Hz-15kHz (±1.5dB)
Stereo Separation		40dB @ 1kHz (Wide)
		30dB at 70Hz -10kHz
Output Voltage		0.75V
Muting Level		17.2dBf, 2.0uV, 75 ohms

AM section

Tuning Range		522Hz-1611kHz (9kHz steps)
Usable Sensitivity		25uV
Image Rejection Ratio		40dB
IF Rejection Ratio		40dB
Signal-to-Noise Ratio		40dB
Total Harmonic Distortion		0.7% (Wide)
Output Voltage		0.15V

Physical Specification

Dimensions in mm (Width x Height x Depth)		435 x 96 x 319
Net Weight		3.5kg
Shipping Weight		4.5kg

NAD ELECTRONICS

LONDON